



**GALVANISED  
STEEL**

## Tank Vent Check Valves Type RM PN10

**RM with PN10 flange - DN 40-175 / DN 200-450**

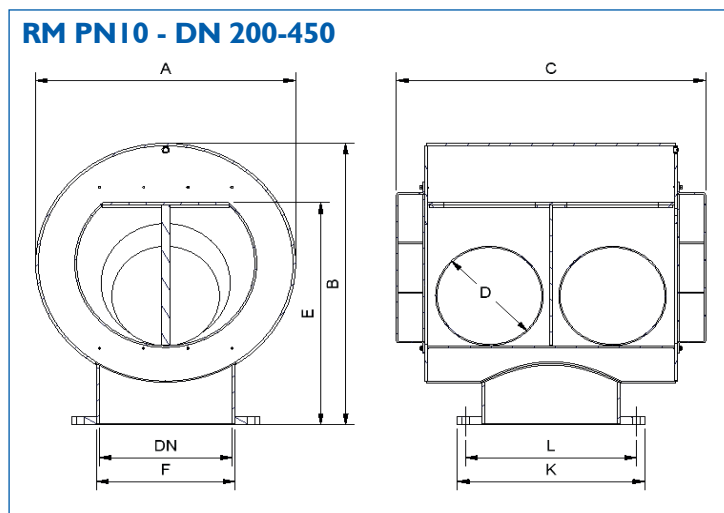
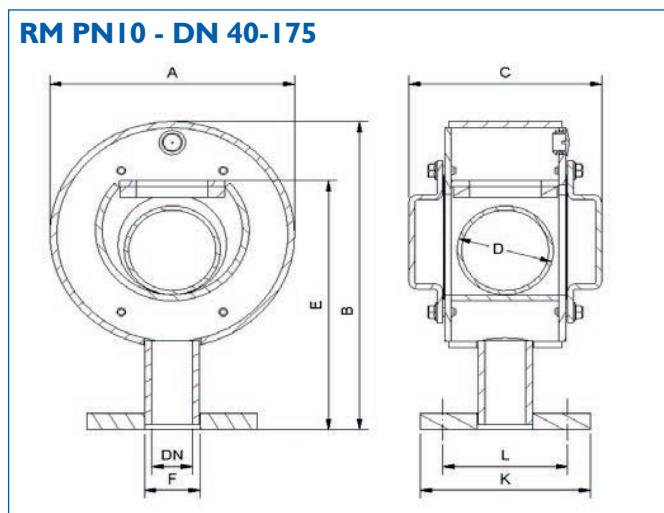
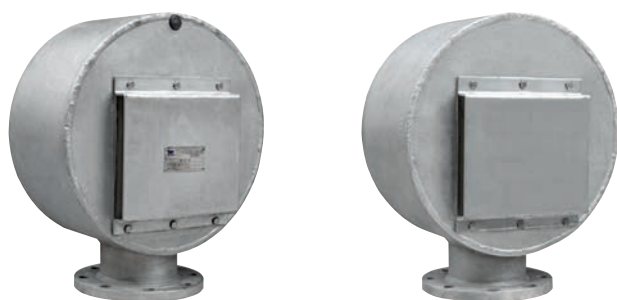
### Standard type

- /// Galvanised steel (thickness according IACS rules)
- /// PE Float ball
- /// Flange acc. DIN 2576 PN10
- /// Airflow Velocity: max. 4 m/s
- /// Screen

### Options

- /// No Screen
- /// Other Flange Connection

## Product specification



### RM PN10 - DN 40-175

DN	40	50	65	80	100	125	150	175
A	216	216	275	275	347	414	496	496
B	294	294	354	354	422	506	590	590
C	170	170	220	220	250	290	340	340
D	85	85	120	120	145	185	240	240
E	238	238	281	281	332	404	465	465
F (∅)	48.3	60.3	76.1	88.9	114.3	140	168.3	193.7
K (∅)	150	165	185	200	220	250	285	315
L Stc. (∅)	110	125	145	160	180	210	240	270
L boltholes	4 / ∅18	4 / ∅18	4 / ∅18	8 / ∅18	8 / ∅18	8 / ∅18	8 / ∅22	8 / ∅22
								(all sizes in mm)
Weight in kg	12	12	19	20	30	43	61	63

### RM PN10 - DN 200-450

DN	200	250	300	350	400	450
A	414	502	593	646	784	876
B	531	650	733	800	918	1005
C	585	705	820	890	932	1250
D	185	240	300	325	325	360
E	432	526	588	661	725	823
F (∅)	219.1	273	324	368	419	479
K (∅)	340	395	445	505	565	615
L Stc. (∅)	295	350	400	460	515	565
L boltholes	8 / ∅22	12 / ∅22	12 / ∅22	16 / ∅22	16 / ∅26	20 / ∅26
						(all sizes in mm)
Weight in kg	76	112	151	190	274	343