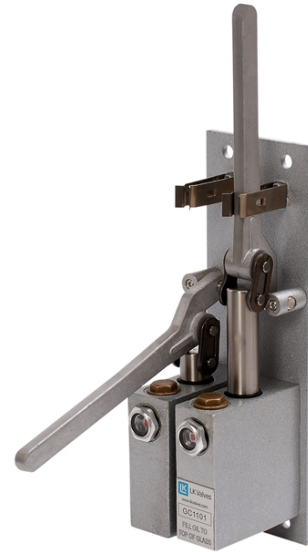


Description Hydraulic control of quick closing valves.

Options

Fittings for steel or copper piping.



Material

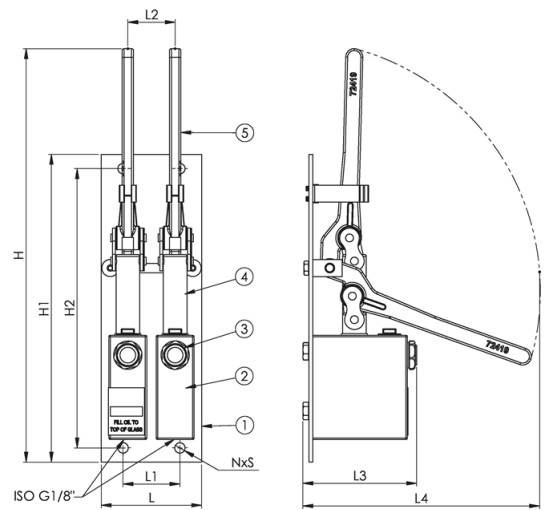
No.	Part	Material
1	Plate	Steel plate
2	Housing	Ductile iron EN-JS1030 (GGG40)
3	Oil level glass	Glass
4	Piston	Stainless steel 1.4305 (AISI303)
5	Lever	Aluminium



Items

Item no.	L	L1	L2	L3	L4	H	H1	H2	NxS	Oil volume (cm ³)	Weight (kg)	Control handles
72424	60		50	120	261	432	325	295	2x11	26.5 cm ³	3.0	1
72425	106	60	50	120	261	432	325	295	4x11	2x26.5 cm ³	8.0	2
72426	156	110	50	120	261	432	325	295	4x11	3x26.5 cm ³	10.0	3

All measurements in mm. Weights are approximations.



Hydraulic control station measurement drawing

