



# Butterfly valve lug type 710702

## Description

Soft seated, centric, lug type butterfly valve with one-piece stem.  
Vulcanized rubber liner by injection moulding. Top flange according to ISO 5211. Due to the meticulous vulcanization process of the lining, the valve can handle negative pressure (vacuum).

## Specifications

Flange standard:	ISO 7005-2, JIS B2239
Face to face standard:	EN 558, series 20
Execution:	Lug
Actuation:	Quarterturn

## Application

Temperature range -35°C to +95°C.

## Media

Fuel oil, lubricating oil and flammable hydraulic oil. Cargo oil. Air. Gas.  
Non-flammable hydraulic fluid. Boiler feedwater, condensate.  
Seawater and freshwater.

## Variants

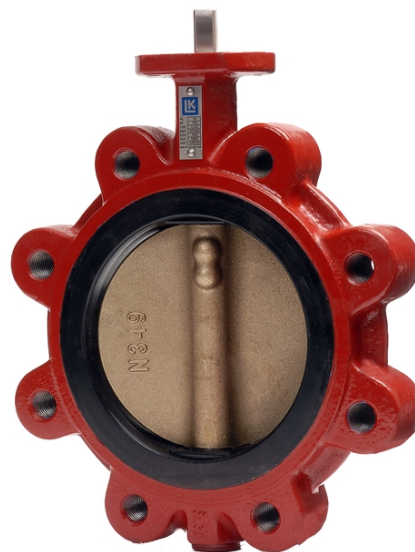
Disc in AISI316. Lining in EPDM or FPM/FKM. Other body materials on request.

## Options

Gear. Actuators. 8 hole version of DN 65, PN 16.

## Material

No.	Part	Dimension	Material
1	Body		Ductile iron EN-JS1030 (GGG40)
2	Disc		Aluminium bronze CC333G (AB2)
3	Pin		Duplex stainless steel 1.4462
4	Sealing		NBR
5	Stem	DN 40-300	Stainless steel 1.4401 (AISI316)
5	Stem	DN 350-600	Stainless steel 1.4057 (AISI431)

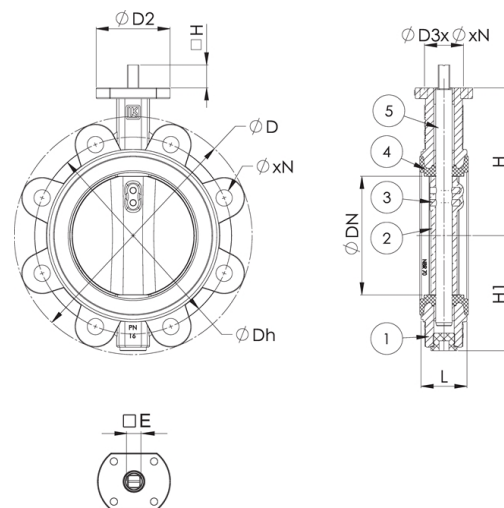


*Butterfly valve lug type with lever*



### Max. working pressure (bar) at °C

DN	Connection	-35°C to +95°C
40 - 200	PN 16	16
40 - 500	JIS 10K	14



Butterfly lug with bare stem

### PN 16 (for larger dimensions, se 710701)

DN	Pressure rating	Connection	L	#E	D	Dh	ØxN	D2	D3xØxN	#H	H	H1	Weight (kg)	Color	Item no.
40	PN 16	PN 16	33	11	147	110	M 16x4	90	70x9x4 (F07)	19	113	66	2.4	Red RAL 3011	33510
50	PN 16	PN 16	43	11	161	125	M 16x4	90	70x9x4 (F07)	19	118	71	3.5	Red RAL 3011	33511
65	PN 16	PN 16	46	11	185	145	M 16x4/(8)	90	70x9x4 (F07)	19	126	80	4.4	Red RAL 3011	33512
80	PN 16	PN 16	46	11	196	160	M 16x8	90	70x9x4 (F07)	19	133	88	5.5	Red RAL 3011	33513
100	PN 16	PN 16	52	11	226	180	M 16x8	90	70x9x4 (F07)	19	147	106	7.4	Red RAL 3011	33514
125	PN 16	PN 16	56	14	260	210	M 16x8	90	70x9x4 (F07)	19	160	118	10.0	Red RAL 3011	33515
150	PN 16	PN 16	56	14	290	240	M 20x8	90	70x9x4 (F07)	19	180	140	12.2	Red RAL 3011	33516
200	PN 16	PN 16	60	17	356	295	M 20x12	90	70x9x4 (F07)	25	204	167	16.0	Red RAL 3011	34364

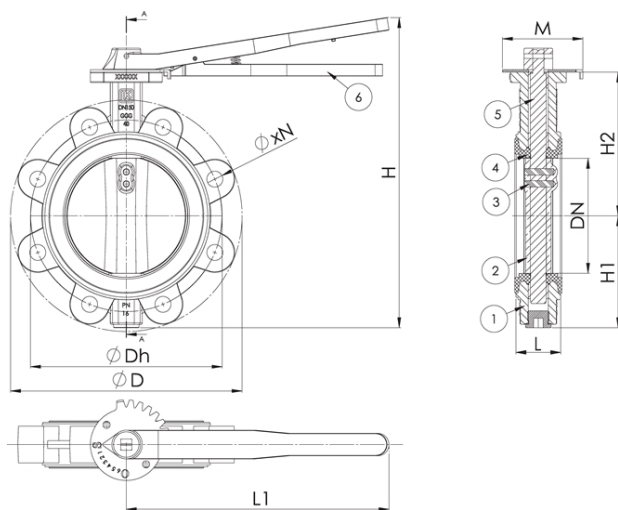
All measurements in mm. Weights are approximations.



## JIS 10K

DN	Pressure rating	Connection	L	#E	D	Dh	ØxN	D2	D3xØxN	#H	H	H1	Weight (kg)	Color	Item no.
40	JIS 10K	JIS 10K	33	11	147	105	M16x4	90	70x9x4 (F07)	19	113	66	2.1	Red RAL 3011	34847
50	JIS 10K	JIS 10K	43	11	161	120	M16x4	90	70x9x4 (F07)	19	118	71	3.5	Red RAL 3011	34848
65	JIS 10K	JIS 10K	46	11	185	140	M16x4	90	70x9x4 (F07)	19	126	80	4.4	Red RAL 3011	34849
80	JIS 10K	JIS 10K	46	11	196	150	M16x8	90	70x9x4 (F07)	19	133	88	5.5	Red RAL 3011	34850
100	JIS 10K	JIS 10K	52	11	226	175	M16x8	90	70x9x4 (F07)	19	147	106	7.4	Red RAL 3011	34851
125	JIS 10K	JIS 10K	56	14	260	210	M20x8	90	70x9x4 (F07)	19	160	118	10.0	Red RAL 3011	34852
150	JIS 10K	JIS 10K	56	14	290	240	M20x8	90	70x9x4 (F07)	19	180	140	13.0	Red RAL 3011	34853
200	JIS 10K	JIS 10K	60	17	356	290	M20x12	90	70x9x4 (F07)	25	204	167	16.0	Red RAL 3011	34854
250	JIS 10K	JIS 10K	68	22	420	355	M20x12	125	102x12x4 (F10)	30	245	203	31.0	Red RAL 3011	34855
300	JIS 10K	JIS 10K	78	22	478	400	M22x16	125	102x12x4 (F10)	30	270	228	43.0	Red RAL 3011	34856
350	JIS 10K	JIS 10K	78	27	516	445	M22x16	150	125x14x4 (F12)	30	315	288	54.0	Red RAL 3011	34857
400	JIS 10K	JIS 10K	102	27	581	510	M24x16	150	125x14x4 (F12)	30	350	305	84.0	Red RAL 3011	34858
450	JIS 10K	JIS 10K	114	36	641	565	M24x20	175	140x18x4 (F14)	38	375	335	116.0	Red RAL 3011	34859
500	JIS 10K	JIS 10K	127	36	710	620	M24x20	175	140x18x4 (F14)	38	415	379	152.0	Red RAL 3011	34860

All measurements in mm. Weights are approximations.



Butterfly lug with lever

### PN16 with lever

DN	Pressure rating	Connection	L	D	Dh	ØxN	L1	H	H1	H2	M	Weight (kg)	Color	Item no.
40	PN 16	PN 16	33	147	110	M 16x4	232	232.5	66	113	101	2.8	Red RAL 3011	34082
50	PN 16	PN 16	43	161	125	M 16x4	232	242.5	71	118	101	4.3	Red RAL 3011	34083
65	PN 16	PN 16	46	185	145	M 16x4(8)	232	264.5	80	126	101	5.2	Red RAL 3011	34084
80	PN 16	PN 16	46	196	160	M 16x8	232	274.5	88	133	101	6.2	Red RAL 3011	34085
100	PN 16	PN 16	52	226	180	M 16x8	232	306.5	106	147	101	8.0	Red RAL 3011	34086
125	PN 16	PN 16	56	260	210	M 16x8	329	342	118	160	101	11.0	Red RAL 3011	34087
150	PN 16	PN 16	56	290	240	M 20x8	329	384	140	180	101	14.0	Red RAL 3011	34088
200	PN 16	PN 16	60	356	295	M 20x12	329	435	167	204	101	21.0	Red RAL 3011	34762

All measurements in mm. Weights are approximations.