



Butterfly valve lug type 710701

Description

Soft seated, centric, lug type butterfly valve with one-piece stem.
Vulcanized rubber liner by injection moulding. Top flange according to ISO 5211. Due to the meticulous vulcanization process of the lining, the valve can handle negative pressure (vacuum).

Specifications

| | |
|------------------------|-----------------------|
| Flange standard: | ISO 7005-2, JIS B2239 |
| Face to face standard: | EN 558, series 20 |
| Execution: | Lug |
| Actuation: | Quarterturn |

Application

Temperature range -35°C to +95°C.

Media

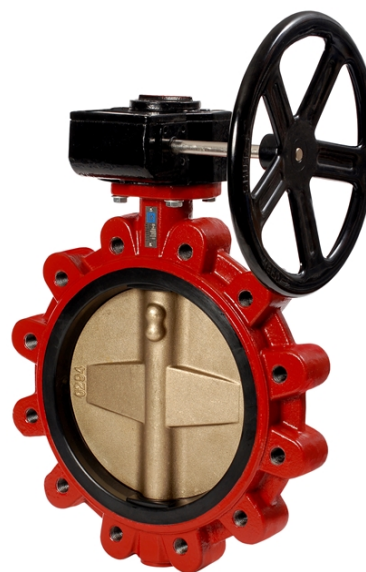
Fuel oil, lubricating oil and flammable hydraulic oil. Cargo oil. Air. Gas.
Non-flammable hydraulic fluid. Boiler feedwater, condensate.
Seawater and freshwater.

Variants

Disc in AISI316. Lining in EPDM or FPM/FKM. Other body materials on request.

Options

Lever. Other actuators.



Butterfly lug with gear box product image

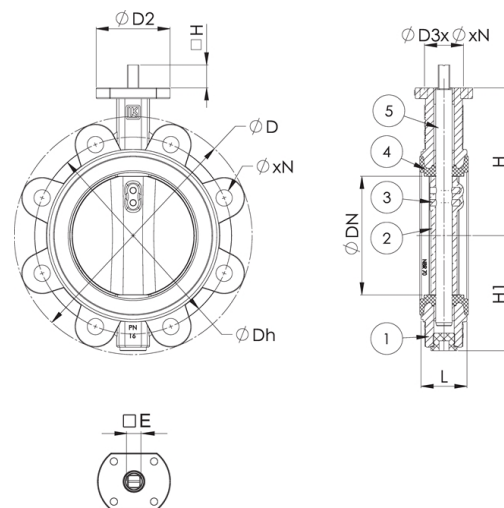
Material

| No. | Part | Dimension | Material |
|-----|---------|------------|----------------------------------|
| 1 | Body | | Ductile iron EN-JS1030 (GGG40) |
| 2 | Disc | | Aluminium bronze CC333G (AB2) |
| 3 | Pin | | Duplex stainless steel 1.4462 |
| 4 | Sealing | | NBR |
| 5 | Stem | DN 40-300 | Stainless steel 1.4401 (AISI316) |
| 5 | Stem | DN 350-600 | Stainless steel 1.4057 (AISI431) |



Max. working pressure (bar) at °C

| DN | Connection | -35°C to +95°C |
|-----------|------------|----------------|
| 200 - 800 | PN 10 | 10 |
| 40 - 600 | JIS 5K | 7 |



Butterfly lug with bare stem

PN 10 (for smaller dimensions, see 710702)

| DN | Pressure rating | Connection | L | #E | D | Dh | ØxN | D2 | D3xØxN | #H | H | H1 | Weight (kg) | Color | Item no. |
|-----|-----------------|------------|-----|----|-----|-----|--------|-----|----------------|----|-----|-----|-------------|--------------|----------|
| 200 | PN 10 | PN 10 | 60 | 17 | 335 | 295 | M20x8 | 90 | 70x9x4 (F07) | 25 | 204 | 167 | 19.0 | Red RAL 3011 | 33517 |
| 250 | PN 10 | PN 10 | 68 | 22 | 420 | 350 | M20x12 | 125 | 102x12x4 (F10) | 30 | 245 | 203 | 31.0 | Red RAL 3011 | 33518 |
| 300 | PN 10 | PN 10 | 78 | 22 | 478 | 400 | M20x12 | 125 | 102x12x4 (F10) | 30 | 270 | 228 | 43.0 | Red RAL 3011 | 33519 |
| 350 | PN 10 | PN 10 | 78 | 27 | 516 | 460 | M20x16 | 150 | 125x14x4 (F12) | 30 | 315 | 288 | 54.0 | Red RAL 3011 | 33520 |
| 400 | PN 10 | PN 10 | 102 | 27 | 581 | 515 | M24x16 | 150 | 125x14x4 (F12) | 30 | 350 | 305 | 91.0 | Red RAL 3011 | 33521 |
| 450 | PN 10 | PN 10 | 114 | 36 | 641 | 565 | M24x20 | 175 | 140x18x4 (F14) | 38 | 375 | 335 | 124.0 | Red RAL 3011 | 33522 |
| 500 | PN 10 | PN 10 | 127 | 36 | 710 | 620 | M24x20 | 175 | 140x18x4 (F14) | 38 | 415 | 379 | 169.0 | Red RAL 3011 | 33523 |
| 600 | PN 10 | PN 10 | 154 | 46 | 780 | 725 | M27x20 | 210 | 165x22x4 (F16) | 48 | 465 | 431 | 211.0 | Red RAL 3011 | 33524 |

All measurements in mm. Weights are approximations.



PN 10 round stem

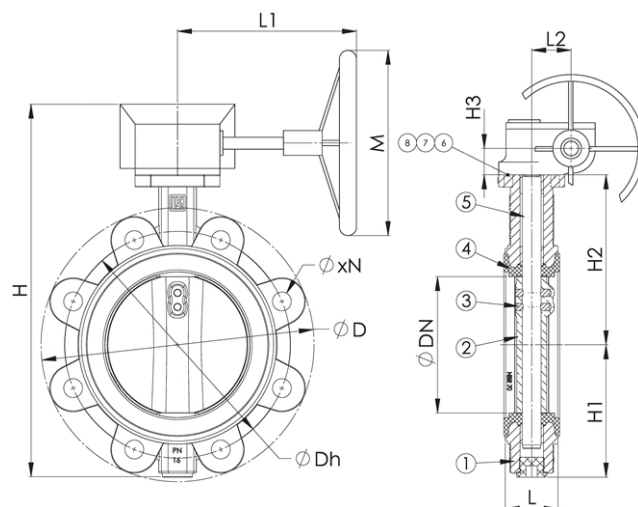
| DN | Pressure rating | Connection | L | #E | D | Dh | ØxN | D2 | D3xØxN | #H | H | H1 | Weight (kg) | Color | Item no. |
|-----|-----------------|------------|-----|-----|------|-----|--------|-----|----------------|-----|-----|-----|-------------|--------------|----------|
| 700 | PN 10 | PN 10 | 165 | Φ70 | 900 | 840 | M27x24 | | 165x22x4 (F16) | 110 | 555 | 485 | 295.0 | Red RAL 3011 | 95287 |
| 800 | PN 10 | PN 10 | 190 | Φ80 | 1015 | 950 | M30x24 | 300 | 254x18x8 (F25) | | 620 | 545 | 400.0 | Red RAL 3011 | 95289 |

All measurements in mm. Weights are approximations.

JIS 5K

| DN | Pressure rating | Connection | L | #E | D | Dh | ØxN | D2 | D3xØxN | #H | H | H1 | Weight (kg) | Color | Item no. |
|-----|-----------------|------------|-----|----|-----|-----|--------|-----|----------------|----|-----|-----|-------------|--------------|----------|
| 40 | JIS 5K | JIS 5K | 33 | 11 | 147 | 95 | M12x4 | 90 | 70x9x4 (F07) | 19 | 113 | 66 | 2.1 | Red RAL 3011 | 34834 |
| 50 | JIS 5K | JIS 5K | 43 | 11 | 161 | 105 | M12x4 | 90 | 70x9x4 (F07) | 19 | 118 | 71 | 3.5 | Red RAL 3011 | 34835 |
| 65 | JIS 5K | JIS 5K | 46 | 11 | 185 | 130 | M12x4 | 90 | 70x9x4 (F07) | 19 | 126 | 80 | 4.4 | Red RAL 3011 | 34836 |
| 80 | JIS 5K | JIS 5K | 46 | 11 | 188 | 145 | M16x4 | 90 | 70x9x4 (F07) | 19 | 133 | 88 | 5.5 | Red RAL 3011 | 34837 |
| 100 | JIS 5K | JIS 5K | 52 | 11 | 226 | 165 | M16x8 | 90 | 70x9x4 (F07) | 19 | 147 | 106 | 7.4 | Red RAL 3011 | 34838 |
| 125 | JIS 5K | JIS 5K | 56 | 14 | 260 | 200 | M16x8 | 90 | 70x9x4 (F07) | 19 | 160 | 118 | 10.0 | Red RAL 3011 | 34839 |
| 150 | JIS 5K | JIS 5K | 56 | 14 | 290 | 230 | M16x8 | 90 | 70x9x4 (F07) | 19 | 180 | 140 | 13.0 | Red RAL 3011 | 34840 |
| 200 | JIS 5K | JIS 5K | 60 | 17 | 335 | 280 | M20x8 | 90 | 70x9x4 (F07) | 25 | 204 | 167 | 16.0 | Red RAL 3011 | 34841 |
| 250 | JIS 5K | JIS 5K | 68 | 22 | 420 | 345 | M20x12 | 125 | 102x12x4 (F10) | 30 | 245 | 203 | 31.0 | Red RAL 3011 | 34842 |
| 300 | JIS 5K | JIS 5K | 78 | 22 | 478 | 390 | M20x12 | 125 | 102x12x4 (F10) | 30 | 270 | 228 | 43.0 | Red RAL 3011 | 34843 |
| 400 | JIS 5K | JIS 5K | 102 | 27 | 581 | 495 | M22x16 | 150 | 125x14x4 (F12) | 30 | 350 | 305 | 84.0 | Red RAL 3011 | 34844 |
| 500 | JIS 5K | JIS 5K | 127 | 36 | 710 | 605 | M22x20 | 175 | 140x18x4 (F14) | 38 | 415 | 379 | 152.0 | Red RAL 3011 | 34845 |
| 600 | JIS 5K | JIS 5K | 154 | 46 | 780 | 715 | M24x20 | 210 | 165x22x4 (F16) | 48 | 465 | 431 | 208.0 | Red RAL 3011 | 34846 |

All measurements in mm. Weights are approximations.

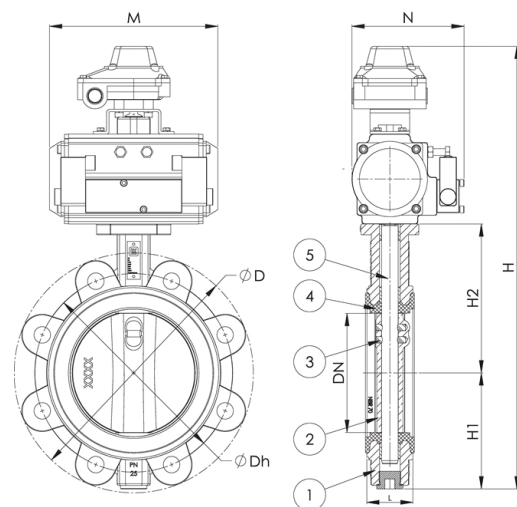


Butterfly lug with gear box

PN 10 with gear box

| DN | Pressure rating | Connection | L | D | Dh | ØxN | L1 | L2 | H | H1 | H2 | H3 | M | Weight (kg) | Color | Item no. |
|-----|-----------------|------------|-----|------|-----|--------|-----|-----|------|-----|-----|----|-----|-------------|--------------|----------|
| 200 | PN 10 | PN 10 | 60 | 335 | 295 | M20x8 | 218 | 53 | 432 | 167 | 204 | 35 | 260 | 22.0 | Red RAL 3011 | 34166 |
| 250 | PN 10 | PN 10 | 68 | 420 | 350 | M20x12 | 218 | 53 | 509 | 203 | 245 | 35 | 260 | 41.0 | Red RAL 3011 | 34167 |
| 300 | PN 10 | PN 10 | 78 | 478 | 400 | M20x12 | 210 | 66 | 570 | 228 | 270 | 42 | 300 | 50.0 | Red RAL 3011 | 34168 |
| 350 | PN 10 | PN 10 | 78 | 516 | 460 | M20x16 | 210 | 66 | 675 | 288 | 315 | 42 | 300 | 65.0 | Red RAL 3011 | 34169 |
| 400 | PN 10 | PN 10 | 102 | 581 | 515 | M24x16 | 287 | 101 | 736 | 305 | 350 | 50 | 400 | 111.0 | Red RAL 3011 | 34170 |
| 450 | PN 10 | PN 10 | 114 | 641 | 565 | M24x20 | 287 | 101 | 791 | 335 | 375 | 50 | 400 | 137.0 | Red RAL 3011 | 34171 |
| 500 | PN 10 | PN 10 | 127 | 710 | 620 | M24x20 | 357 | 123 | 885 | 379 | 415 | 50 | 500 | 184.0 | Red RAL 3011 | 34172 |
| 600 | PN 10 | PN 10 | 154 | 780 | 725 | M27x20 | 382 | 153 | 969 | 431 | 465 | 50 | 500 | 252.0 | Red RAL 3011 | 34173 |
| 700 | PN 10 | PN 10 | 165 | 900 | 840 | M27x24 | 344 | 53 | 1166 | 485 | 555 | 56 | 500 | 321.0 | Red RAL 3011 | 34174 |
| 800 | PN 10 | PN 10 | 190 | 1015 | 950 | M30x24 | 444 | 53 | 1291 | 545 | 620 | 56 | 700 | 437.0 | Red RAL 3011 | 34175 |

All measurements in mm. Weights are approximations.



Butterfly lug with pneumatic actuator

Items

| DN | Pressure rating | Connection | L | #E | D | Dh | ØxN | D2 | D3xØxN | #H | H | H1 | Weight (kg) | Color | Item no. |
|------|-----------------|------------|-----|-----|------|------|--------|-----|----------------|-----|-----|-----|-------------|--------------|----------|
| 800 | PN 6 | PN 6 | 190 | Φ80 | 1015 | 920 | M27x24 | 300 | 254x18x8 (F25) | 110 | 620 | 545 | 410.0 | Red RAL 3011 | 95290 |
| 900 | PN 6 | PN 6 | 203 | Φ80 | 1092 | 1020 | M27x24 | 300 | 254x18x8 (F25) | 110 | 675 | 630 | 483.0 | Red RAL 3011 | 95291 |
| 1000 | PN 6 | PN 6 | 216 | Φ80 | 1238 | 1160 | M27x28 | 300 | 254x18x8 (F25) | 110 | 740 | 690 | 670.0 | Red RAL 3011 | 95292 |

All measurements in mm. Weights are approximations.