

Description

Strainers are used in systems which needs to be protected against debris during pipe installation or regular operation. Y-type strainer. DN 40–300 with drain plug. It is possible to get internal strainer basket with different mesh size.



Specifications

Flange standard:	EN 1092-2
Face to face standard:	EN 558, series 1
Bonnet connection:	Bolted
Execution:	Straight
Connection type:	Flanged
Perforation:	1 mm

Media

Fuel oil, lubricating oil and flammable hydraulic oil. Cargo oil. Non-flammable hydraulic fluid. Boiler feedwater, condensate. Seawater and freshwater.

Variants

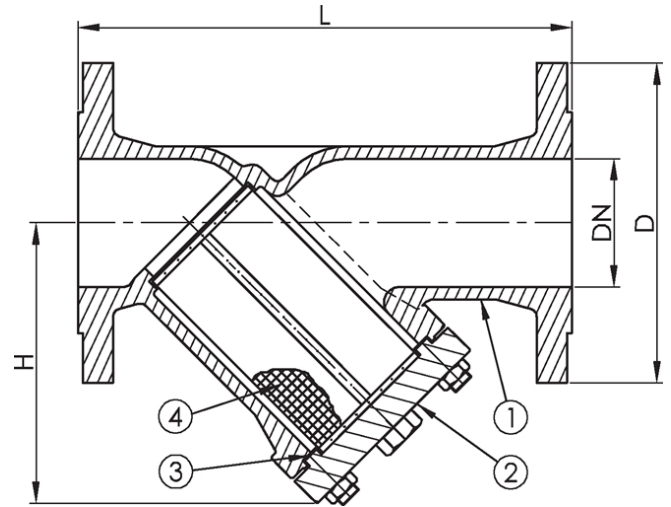
Other body materials on request. Other mesh sizes on request.

Material

No.	Part	Material
1	Body	Cast iron EN-JL1040 (GG25)
2	Cover	Cast iron EN-JL1040 (GG25)
3	Gasket	Graphite
4	Strainer	Stainless steel 1.4301 (AISI304)

Max. working pressure (bar) at °C

DN	Connection	up to 120°C
15 - 150	PN 16	16
200 - 300	PN 10	10



Strainer y-type measurement drawing

Items

DN	Item no.	Pressure rating	Connection	L	D	H	Weight (kg)	Color
15	40809	PN 16	PN 16	130	95	75	3.0	Green RAL 6002
20	40810	PN 16	PN 16	150	105	75	3.5	Green RAL 6002
25	91518	PN 16	PN 16	160	115	90	4.5	Green RAL 6002
32	40811	PN 16	PN 16	180	140	90	5.5	Green RAL 6002
40	89729	PN 16	PN 16	200	150	110	8.0	Green RAL 6002
50	90534	PN 16	PN 16	230	165	120	9.5	Green RAL 6002
65	40812	PN 16	PN 16	290	185	140	15.0	Green RAL 6002
80	81332	PN 16	PN 16	310	200	170	21.0	Green RAL 6002
100	89730	PN 16	PN 16	350	220	220	27.0	Green RAL 6002
125	40813	PN 16	PN 16	400	250	260	49.0	Green RAL 6002
150	81878	PN 16	PN 16	480	285	300	76.0	Green RAL 6002
200	40814	PN 10	PN 10	600	340	360	135.0	Green RAL 6002
250	40815	PN 10	PN 10	730	395	440	192.0	Green RAL 6002
300	40816	PN 10	PN 10	850	445	525	274.0	Green RAL 6002

All measurements in mm. Weights are approximations.