

Description

Globe valve with shut off or screw down non return (SDNR) function.
Metal sealing. Rising stem type.

Specifications

Flange standard:	EN 1092-1
Face to face standard:	EN 558, series 8
Bonnet connection:	Bolted
Execution:	Angled
Connection type:	Flanged
Operation:	Handwheel
Actuation:	Multiturn



Media

Fuel oil, lubricating oil and flammable hydraulic oil. Cargo oil. Non-flammable hydraulic fluid. Boiler feedwater, condensate. Seawater and freshwater.

Options

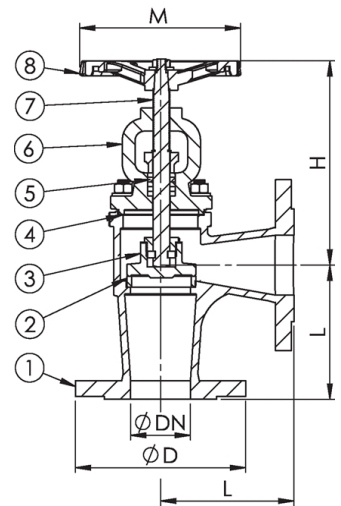
Spring for SDNR.

Material

No.	Part	Dimension	Material
1	Body		Cast steel 1.0619 (WCB)
2	Seat		Stainless steel 1.4301 (AISI304)
3	Disc	DN 15-65	Stainless steel 1.4301 (AISI304)
3	Disc	DN 80-250	Cast steel 1.0619 (WCB)
4	Gasket		Graphite
5	Gland packing		Graphite
6	Bonnet		Cast steel 1.0619 (WCB)
7	Stem		Stainless steel 1.4021 (AISI420)
8	Handwheel		Cast iron EN-JL1040 (GG25)

Max. working pressure (bar) at °C

DN	Connection	up to 120°C	180°C
15 - 100	PN 40	40	33
125	PN 40	33	21
150	PN 40	21	14
200	PN 25	14	9
250	PN 25	9	6



Stop valve

DN	Item no.	Pressure rating	Connection	L	D	H	M	Weight (kg)	Color
15	82262	PN 40	PN 40	90	95	155	120	4.0	Blue RAL 5010
20	82263	PN 40	PN 40	95	105	155	120	4.0	Blue RAL 5010
25	82264	PN 40	PN 40	100	115	170	140	5.0	Blue RAL 5010
32	82265	PN 40	PN 40	105	140	175	140	8.0	Blue RAL 5010
40	82266	PN 40	PN 40	115	150	195	160	10.0	Blue RAL 5010
50	82267	PN 40	PN 40	125	165	205	160	13.0	Blue RAL 5010
65	82268	PN 40	PN 40	145	185	225	180	18.0	Blue RAL 5010
80	82269	PN 40	PN 40	155	200	250	200	25.0	Blue RAL 5010
100	82270	PN 40	PN 40	175	235	305	225	38.0	Blue RAL 5010
125	82271	PN 40	PN 40	200	270	315	250	50.0	Blue RAL 5010

All measurements in mm. Weights are approximations.

Stop valve

DN	Item no.	Pressure rating	Connection	L	D	H	M	Weight (kg)	Color
150	82272	PN 40	PN 40	225	300	380	300	75.0	Blue RAL 5010
200	41195	PN 16	PN 25	325	360	470	520	107.0	Blue RAL 5010
250	41196	PN 10	PN 25	375	425	550	520	170.0	Blue RAL 5010

All measurements in mm. Weights are approximations.

SDNR disc

DN	Item no.	Pressure rating	Connection	L	D	H	M	Weight (kg)	Color
15	82273	PN 40	PN 40	90	95	155	120	4.0	Blue RAL 5010
20	82274	PN 40	PN 40	95	105	155	120	4.0	Blue RAL 5010
25	82275	PN 40	PN 40	100	115	170	140	5.0	Blue RAL 5010
32	82276	PN 40	PN 40	105	140	175	140	8.0	Blue RAL 5010
40	82277	PN 40	PN 40	115	150	195	160	10.0	Blue RAL 5010
50	82278	PN 40	PN 40	125	165	205	160	13.0	Blue RAL 5010
65	82279	PN 40	PN 40	145	185	225	180	18.0	Blue RAL 5010
80	82280	PN 40	PN 40	155	200	250	200	25.0	Blue RAL 5010
100	82281	PN 40	PN 40	175	235	305	225	38.0	Blue RAL 5010
125	82282	PN 40	PN 40	200	270	315	250	50.0	Blue RAL 5010
150	82283	PN 40	PN 40	225	300	380	300	75.0	Blue RAL 5010
200	41198	PN 16	PN 25	325	360	470	520	107.0	Blue RAL 5010
250	41199	PN 10	PN 25	375	425	550	520	170.0	Blue RAL 5010

All measurements in mm. Weights are approximations.

