

## Description

Globe valve with shut off, regulating or screw down non return (SDNR) function. Metal sealing. Rising stem type.

## Specifications

Flange standard:	EN 1092-2
Face to face standard:	EN 558, series 8
Bonnet connection:	Bolted
Execution:	Angled
Connection type:	Flanged
Operation:	Handwheel
Actuation:	Multiturn



## Media

Fuel oil, lubricating oil and flammable hydraulic oil. Cargo oil. Non-flammable hydraulic fluid. Boiler feedwater, condensate. Seawater and freshwater.

## Variants

Regulating disc. Stainless steel trim.

## Options

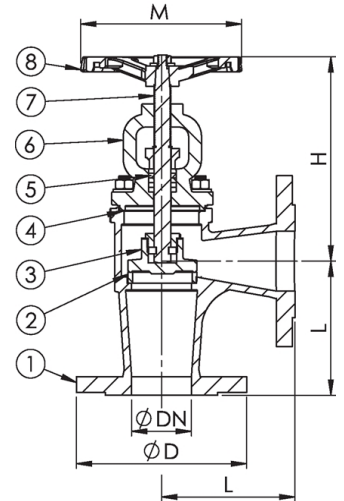
Spring for SDNR.

## Material

No.	Part	Dimension	Material
1	Body		Ductile iron EN-JS1030 (GGG40)
2	Seat		Bronze CC491K (RG5)
3	Disc	DN 15-150	Bronze CC491K (RG5)
3	Disc	DN 200-250	Ductile iron EN-JS1030 (GGG40)
4	Gasket		Graphite
5	Gland packing		Graphite
6	Bonnet		Ductile iron EN-JS1030 (GGG40)
7	Stem		Special brass CW710R (SoMs59)
8	Handwheel		Cast iron EN-JL1040 (GG25)

### Max. working pressure (bar) at °C

DN	Connection	up to 120°C	180°C
15 - 150	PN 16	16	10
200 - 250	PN 10	10	6



### Stop valve

DN	Item no.	Pressure rating	Connection	L	D	H	M	Weight (kg)	Color
15	61273	PN 16	PN 16	90	95	173	120	4.0	Red RAL 3011
20	61313	PN 16	PN 16	95	105	173	120	4.5	Red RAL 3011
25	61353	PN 16	PN 16	100	115	189	120	5.2	Red RAL 3011
32	61393	PN 16	PN 16	105	140	190	120	6.7	Red RAL 3011
40	61433	PN 16	PN 16	115	150	225	140	9.6	Red RAL 3011
50	61473	PN 16	PN 16	125	165	218	140	12.0	Red RAL 3011
65	61513	PN 16	PN 16	145	185	246	140	16.0	Red RAL 3011
80	61553	PN 16	PN 16	155	200	274	160	21.0	Red RAL 3011
100	61593	PN 16	PN 16	175	220	303	160	33.0	Red RAL 3011
125	61633	PN 16	PN 16	200	250	310	200	43.0	Red RAL 3011
150	61673	PN 16	PN 16	225	285	360	200	70.0	Red RAL 3011
200	81170	PN 10	PN 10	275	340	402.5	400	110.0	Red RAL 3011
250	80999	PN 10	PN 10	325	395	550	400	160.0	Red RAL 3011

All measurements in mm. Weights are approximations.

### SDNR disc

DN	Item no.	Pressure rating	Connection	L	D	H	M	Weight (kg)	Color
15	61277	PN 16	PN 16	90	95	173	120	4.0	Red RAL 3011
20	61317	PN 16	PN 16	95	105	173	120	4.5	Red RAL 3011
25	61357	PN 16	PN 16	100	115	189	120	5.3	Red RAL 3011
32	61397	PN 16	PN 16	105	140	190	120	7.1	Red RAL 3011
40	61437	PN 16	PN 16	115	150	225	140	9.7	Red RAL 3011
50	61477	PN 16	PN 16	125	165	218	140	12.0	Red RAL 3011
65	61517	PN 16	PN 16	145	185	246	140	15.0	Red RAL 3011
80	61557	PN 16	PN 16	155	200	274	160	22.0	Red RAL 3011
100	61597	PN 16	PN 16	175	220	303	160	33.0	Red RAL 3011
125	61637	PN 16	PN 16	200	250	310	200	44.0	Red RAL 3011
150	61677	PN 16	PN 16	225	285	360	200	58.0	Red RAL 3011
200	81169	PN 10	PN 10	275	340	408	400	126.0	Red RAL 3011
250	81448	PN 10	PN 10	325	395	550	400	184.0	Red RAL 3011

All measurements in mm. Weights are approximations.

