

Description

Globe valve with shut off or screw down non return (SDNR) function. Angled, rising stem valve with screwed and secured bonnet as well as metal sealing. For warm sea water it is recommended to use a stem of zinc free bronze, CuSn6.

Specifications

Flange standard:	EN 1092-3
Bonnet connection:	Screwed, Secured
Execution:	Angled
Connection type:	Flanged
Operation:	Handwheel
Actuation:	Multiturn



Application

For temperatures up to 225°C, steam up to 180°C.

Media

Steam. Fuel oil, lubricating oil and flammable hydraulic oil. Cargo oil. Boiler feedwater, condensate. Seawater and freshwater.

Variants

CuSn6 stem.

Options

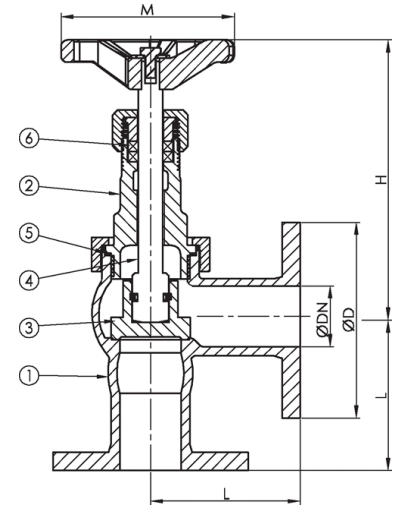
Spring for SDNR.

Material

No.	Part	Material
1	Body	Bronze CC491K (RG5)
2	Bonnet	Bronze CC491K (RG5)
3	Disc	Bronze CC491K (RG5)
4	Stem	Special brass CW710R (SoMs59)
5	Gasket	PTFE
6	Gland	Brass CW614N (Ms58)

Max. working pressure (bar) at °C

DN	Connection	up to 120°C	up to 225°C (steam up to 180°C)
10 - 80	PN 16	16	10



Stop valve

DN	Item no.	Pressure rating	Connection	L	D	H	M	Weight (kg)	Color
10	41150	PN 16	PN 16	65	90	86	60	1.4	Unpainted
15	92524	PN 16	PN 16	65	95	86	60	1.8	Unpainted
20	81004	PN 16	PN 16	70	105	100	80	2.1	Unpainted
25	80345	PN 16	PN 16	75	115	105	80	2.6	Unpainted
32	80346	PN 16	PN 16	90	140	120	90	4.2	Unpainted
40	81520	PN 16	PN 16	100	150	135	100	5.2	Unpainted
50	81135	PN 16	PN 16	105	165	150	120	7.5	Unpainted
65	90643	PN 16	PN 16	115	185	210	160	11.0	Unpainted
80	80839	PN 16	PN 16	125	200	230	200	15.0	Unpainted

All measurements in mm. Weights are approximations.



SDNR disc

DN	Item no.	Pressure rating	Connection	L	D	H	M	Weight (kg)	Color
10	41151	PN 16	PN 16	65	90	86	60	1.4	Unpainted
15	92525	PN 16	PN 16	65	95	86	60	1.8	Unpainted
20	80344	PN 16	PN 16	70	105	100	80	2.1	Unpainted
25	80993	PN 16	PN 16	75	115	105	80	2.6	Unpainted
32	80347	PN 16	PN 16	90	140	120	90	4.2	Unpainted
40	80348	PN 16	PN 16	100	150	135	100	5.2	Unpainted
50	82121	PN 16	PN 16	105	165	150	120	7.5	Unpainted
65	80349	PN 16	PN 16	115	185	210	160	11.0	Unpainted
80	80350	PN 16	PN 16	125	200	230	200	15.0	Unpainted

All measurements in mm. Weights are approximations.

