

## Description

Globe valve with shut off or screw down non return (SDNR) function.  
A compact, angled, rising stem valve with metal sealing.

## Specifications

Flange standard:	EN 1092-3
Bonnet connection:	Bolted
Execution:	Angled
Connection type:	Flanged

## Application

For temperatures up to 200°C, steam up to 180°C.

## Media

Steam. Fuel oil, lubricating oil and flammable hydraulic oil. Cargo oil.  
Non-flammable hydraulic fluid. Boiler feedwater, condensate.  
Seawater and freshwater.

## Variants

Regulating disc. Other materials on request.

## Options

Spring for SDNR. With indicator.

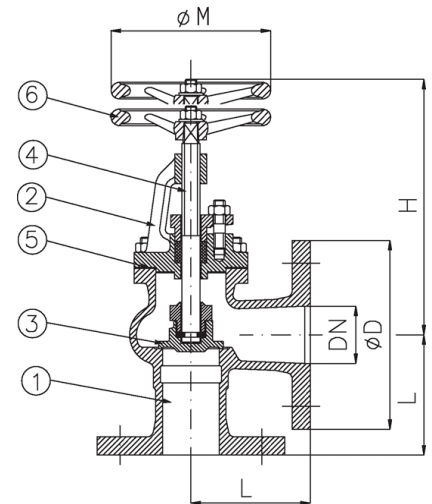


## Material

No.	Part	Dimension	Material
1	Body		Bronze CC491K (RG5)
2	Bonnet		Bronze CC491K (RG5)
3	Disc	DN 15-50	Bronze CC493K (RG7)
3	Disc	DN 65-200	Bronze CC491K (RG5)
4	Stem		Special brass CW710R (SoMs59)
5	Bonnet sealing		NBR bonded aramid
6	Handwheel		Cast iron EN-JL1040 (GG25)

### Max. working pressure (bar) at °C

DN	Connection	up to 120°C	up to 200°C (steam up to 180°C)
15 - 150	PN 16	16	13
200	PN 10	10	8



### Stop valve

DN	Item no.	Pressure rating	Connection	L	D	H	M	Kv	Weight (kg)	Color
15	41679	PN 16	PN 16	65	95	157	100	5	4.0	Unpainted
20	41680	PN 16	PN 16	65	105	175	100	8	5.5	Unpainted
25	41681	PN 16	PN 16	70	115	190	100	14	6.2	Unpainted
32	41682	PN 16	PN 16	90	140	205	120	22	8.4	Unpainted
40	41683	PN 16	PN 16	90	150	215	160	40	10.0	Unpainted
50	41684	PN 16	PN 16	105	165	235	160	60	13.0	Unpainted
65	41685	PN 16	PN 16	115	185	260	160	101	23.0	Unpainted
80	41686	PN 16	PN 16	125	200	265	200	119	31.0	Unpainted
100	41687	PN 16	PN 16	145	220	285	250	181	41.0	Unpainted
125	41688	PN 16	PN 16	170	250	310	250	285	65.0	Unpainted
150	41689	PN 16	PN 16	200	285	340	315	397	89.0	Unpainted
200	41690	PN 10	PN 10	250	340	570	315	710	127.0	Unpainted

All measurements in mm. Weights are approximations.



## SDNR disc

DN	Item no.	Pressure rating	Connection	L	D	H	M	Kv	Weight (kg)	Color
15	41691	PN 16	PN 16	65	95	157	100	5	4.0	Unpainted
20	41692	PN 16	PN 16	65	105	175	100	8	5.5	Unpainted
25	41693	PN 16	PN 16	70	115	190	100	14	6.2	Unpainted
32	41694	PN 16	PN 16	90	140	205	120	22	8.4	Unpainted
40	41695	PN 16	PN 16	90	150	215	160	40	10.0	Unpainted
50	41696	PN 16	PN 16	105	165	235	160	60	13.0	Unpainted
65	41697	PN 16	PN 16	115	185	260	160	101	23.0	Unpainted
80	41698	PN 16	PN 16	125	200	265	200	119	31.0	Unpainted
100	41699	PN 16	PN 16	145	220	285	250	181	41.0	Unpainted
125	41700	PN 16	PN 16	170	250	310	250	285	65.0	Unpainted
150	41701	PN 16	PN 16	200	285	340	315	397	89.0	Unpainted
200	41702	PN 16	PN 10	250	340	570	315	710	127.0	Unpainted

All measurements in mm. Weights are approximations.

