

Description

Globe valve with shut off, regulating or screw down non return (SDNR) function. Straight, rising stem type with female threaded ends, screwed and secured bonnet as well as metal sealing. Spring for SDNR disc in stainless steel 1.4571. For warm sea water it is recommended to use a stem of zinc free bronze, CuSn6.

Specifications

Bonnet connection:	Screwed, Secured
Execution:	Straight
Connection type:	Threaded female
Operation:	Handwheel
Actuation:	Multiturn



Application

For temperatures up to 225°C, steam up to 180°C.

Media

Steam. Fuel oil, lubricating oil and flammable hydraulic oil. Seawater and freshwater.

Variants

Regulating disc. CuSn6 stem.

Material

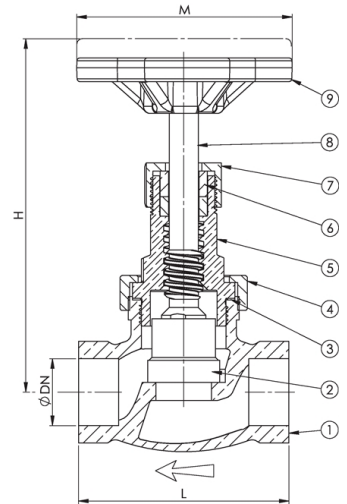
No.	Part	Dimension	Material
1	Body		Bronze CC491K (RG5)
2	Disc	DN 8-50	Bronze CC493K (RG7)
2	Disc	DN 65-80	Bronze CC491K (RG5)
3	Gasket		PTFE
4	Locking nut		Bronze CC491K (RG5)
5	Bonnet	DN 8-32	Bronze CC493K (RG7)
5	Bonnet	DN 40-80	Bronze CC491K (RG5)
6	Gland		Brass CW614N (Ms58)
7	Gland nut		Brass CW614N (Ms58)

Material

No.	Part	Dimension	Material
8	Stem		Special brass CW710R (SoMs59)
9	Handwheel		Cast iron EN-JL1040 (GG25)

Max. working pressure (bar) at °C

DN	up to 120°C	up to 225°C (steam up to 180°C)
8 - 80	16	10



Stop valve

DN	Item no.	Pressure rating	Connection (BSP)	L	H	M	Kv	Weight (kg)	Color
8	80291	PN 16	G 1/4"	60	95	60	2	0.4	Unpainted
10	80293	PN 16	G 3/8"	60	95	60	4	0.5	Unpainted
15	80296	PN 16	G 1/2"	65	95	60	7	0.5	Unpainted
20	80298	PN 16	G 3/4"	75	110	80	10	0.7	Unpainted
25	80300	PN 16	G 1"	90	115	80	15	1.2	Unpainted
32	80303	PN 16	G 1 1/4"	105	135	90	23	1.6	Unpainted
40	80305	PN 16	G 1 1/2"	120	145	100	33	2.3	Unpainted
50	80307	PN 16	G 2"	145	165	120	65	3.4	Unpainted
65	80309	PN 16	G 2 1/2"	170	230	160	85	7.0	Unpainted
80	80823	PN 16	G 3"	200	250	200	129	12.0	Unpainted

All measurements in mm. Weights are approximations.



SDNR disc with spring

DN	Item no.	Pressure rating	Connection (BSP)	L	H	M	Kv	Weight (kg)	Color
8	80292	PN 16	G 1/4"	60	95	60	2	0.4	Unpainted
10	80294	PN 16	G 3/8"	60	95	60	4	0.5	Unpainted
15	80297	PN 16	G 1/2"	65	95	60	7	0.5	Unpainted
20	80299	PN 16	G 3/4"	75	110	80	10	0.7	Unpainted
25	80301	PN 16	G 1"	90	115	80	15	1.2	Unpainted
32	80304	PN 16	G 1 1/4"	105	135	90	23	1.6	Unpainted
40	80306	PN 16	G 1 1/2"	120	145	100	33	2.3	Unpainted
50	80308	PN 16	G 2"	145	165	120	65	3.4	Unpainted
65	80310	PN 16	G 2 1/2"	170	230	160	85	7.0	Unpainted
80	81217	PN 16	G 3"	200	250	200	129	12.0	Unpainted

All measurements in mm. Weights are approximations.

