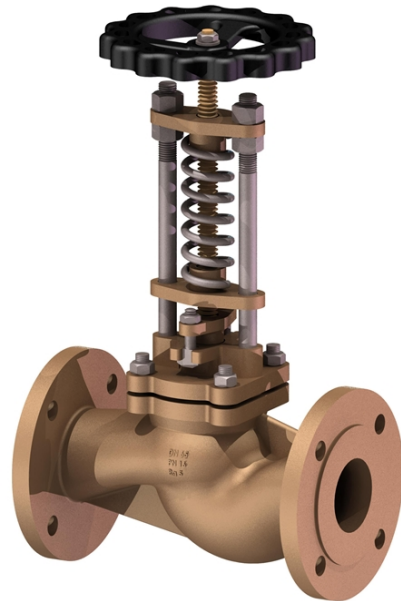


## Description

Overboard valve is a spring loaded globe valve used mainly for discharge of water. Keeps the system pressurized and minimizes cavitation. Adjustable pressure 0,1-0,5 bar. For discharge below water line use valve with SDNR disc. Metal sealing. Rising stem.

## Specifications

Flange standard:	EN 1092-3
Face to face standard:	EN 558, series 1
Bonnet connection:	Bolted
Execution:	Straight
Connection type:	Flanged
Operation:	Handwheel
Actuation:	Multiturn



## Media

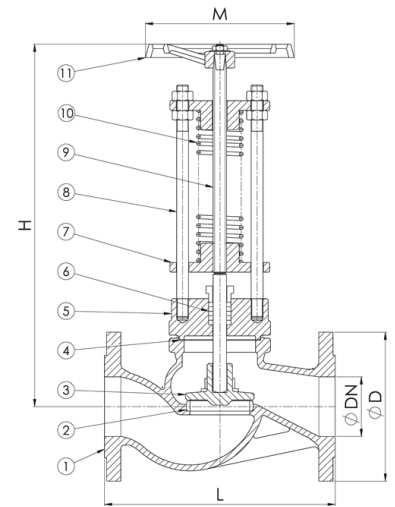
Seawater and freshwater.

## Material

No.	Part	Material
1	Body	Bronze CC491K (RG5)
2	Seat	Bronze CC491K (RG5)
3	Disc	Bronze CC491K (RG5)
4	Bonnet gasket	Graphite
5	Bonnet	Bronze CC491K (RG5)
6	Gland packing	Graphite
7	Bridge	Bronze CC491K (RG5)
8	Columns	Stainless steel 1.4301 (AISI304)
9	Stem	Special brass CW710R (SoMs59)
10	Spring	Spring steel SH
11	Handwheel	Cast iron EN-JL1040 (GG25)

### Max. working pressure (bar) at °C

DN	Connection	up to 120°C
15 - 125	PN 16	16
150 - 200	PN 10	10
250 - 300	PN 10	6



### Stop valve

DN	Item no.	Pressure rating	Connection	L	D	H	M	Weight (kg)	Color
15	40936	PN 16	PN 16	130	95	251	120	4.0	Unpainted
20	40937	PN 16	PN 16	150	105	251	120	5.0	Unpainted
25	40938	PN 16	PN 16	160	115	265	140	6.0	Unpainted
32	40939	PN 16	PN 16	180	140	280	140	8.0	Unpainted
40	40940	PN 16	PN 16	200	150	350	160	11.0	Unpainted
50	40941	PN 16	PN 16	230	165	373	160	13.0	Unpainted
65	40942	PN 16	PN 16	290	185	400	180	18.0	Unpainted
80	40943	PN 16	PN 16	310	200	490	200	27.0	Unpainted
100	40944	PN 16	PN 16	350	220	522	225	42.0	Unpainted
125	40945	PN 16	PN 16	400	250	618	250	70.0	Unpainted
150	40946	PN 10	PN 10	480	285	750	300	115.0	Unpainted
200	40947	PN 10	PN 10	600	340	810	400	165.0	Unpainted

All measurements in mm. Weights are approximations.

### Stop valve

DN	Item no.	Pressure rating	Connection	L	D	H	M	Weight (kg)	Color
250	40948	PN 6	PN 10	730	395	950	520	290.0	Unpainted
300	40949	PN 6	PN 10	850	445	1007	520	380.0	Unpainted

All measurements in mm. Weights are approximations.

### SDNR disc

DN	Item no.	Pressure rating	Connection	L	D	H	M	Weight (kg)	Color
15	41608	PN 16	PN 16	130	95	251	120	4.0	Unpainted
20	41609	PN 16	PN 16	150	105	251	120	5.0	Unpainted
25	41610	PN 16	PN 16	160	115	265	140	6.0	Unpainted
32	41611	PN 16	PN 16	180	140	280	140	8.0	Unpainted
40	41612	PN 16	PN 16	200	150	350	160	11.0	Unpainted
50	41613	PN 16	PN 16	230	165	373	160	13.0	Unpainted
65	41614	PN 16	PN 16	290	185	400	180	18.0	Unpainted
80	41615	PN 16	PN 16	310	200	490	200	27.0	Unpainted
100	41616	PN 16	PN 16	350	220	522	225	42.0	Unpainted
125	41617	PN 16	PN 16	400	250	618	250	70.0	Unpainted
150	41618	PN 10	PN 10	480	285	750	300	115.0	Unpainted
200	41619	PN 10	PN 10	600	340	810	400	165.0	Unpainted
250	41620	PN 6	PN 10	730	395	950	520	290.0	Unpainted
300	41621	PN 6	PN 10	850	445	1007	520	380.0	Unpainted

All measurements in mm. Weights are approximations.

