

## Description

Three way gland cock with T- or L-port. Flanges drilled according to PN 10.

## Specifications

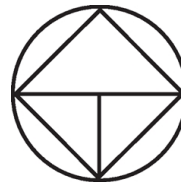
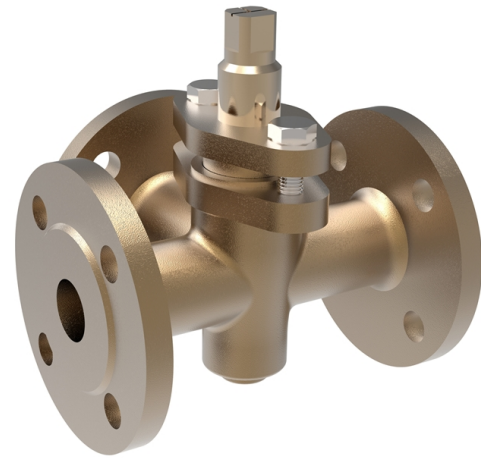
Flange standard:	EN 1092-3
Execution:	Three way
Connection type:	Flanged
Operation:	Lever

## Media

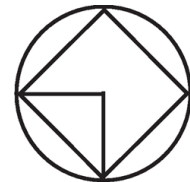
Fuel oil, lubricating oil and flammable hydraulic oil. Cargo oil. Non-flammable hydraulic fluid. Boiler feedwater, condensate. Seawater and freshwater.

## Variants

Larger dimensions on request.



T-plug



L-plug

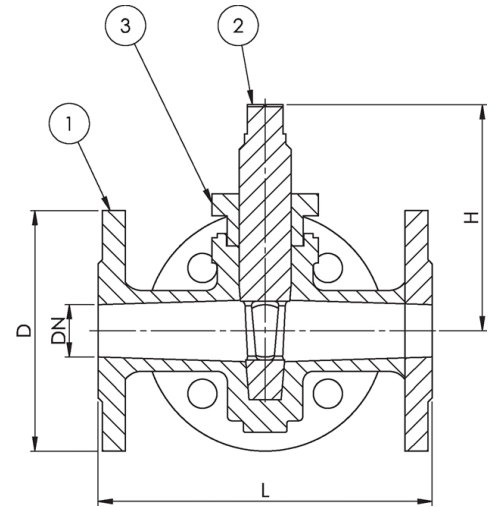
*T- and L-port technical description*

## Material

No.	Part	Material
1	Body	Bronze CC491K (RG5)
2	Plug	Bronze CC491K (RG5)
3	Gland	Bronze CC491K (RG5)

## Max. working pressure (bar) at °C

DN	up to 120°C
15 - 100	10



Three way gland cock

### T-port

DN	Item no.	Pressure rating	L	D	H	Weight (kg)	Type
15	41074	PN 10	150	95	102	4.5	T-port
20	91888	PN 10	150	105	102	4.5	T-port
25	92665	PN 10	160	115	117	5.0	T-port
32	91880	PN 10	180	140	141	8.0	T-port
40	41075	PN 10	200	150	148	11.0	T-port
50	91887	PN 10	230	165	176	16.0	T-port
65	41076	PN 10	290	185	215	24.0	T-port
80	41077	PN 10	310	200	250	36.0	T-port
100	41078	PN 10	350	220	281	42.0	T-port

All measurements in mm. Weights are approximations.

### L-port

DN	Item no.	Pressure rating	L	D	H	Weight (kg)	Type
15	41066	PN 10	150	95	102	4.5	L-port
20	41067	PN 10	150	105	102	4.5	L-port
25	41068	PN 10	160	115	117	5.0	L-port
32	91512	PN 10	180	140	141	8.0	L-port
40	91513	PN 10	200	150	148	11.0	L-port

All measurements in mm. Weights are approximations.



---

### L-port

DN	Item no.	Pressure rating	L	D	H	Weight (kg)	Type
50	41069	PN 10	230	165	176	16.0	L-port
65	41070	PN 10	290	185	215	24.0	L-port
80	41071	PN 10	310	200	250	36.0	L-port
100	92443	PN 10	350	220	281	42.0	L-port

*All measurements in mm. Weights are approximations.*

