



Globe Valve

Angle Type, Flanged Ends

F-7306/F-7354
JIS 5K

DESCRIPTION: Angle type, cast iron body, metal seated screw down stop valve with rising stem, bolted bonnet, flat faced flanged

Application: Start/stop and throttling of; sea water, water, steam and oils, etc

Standard & Design:

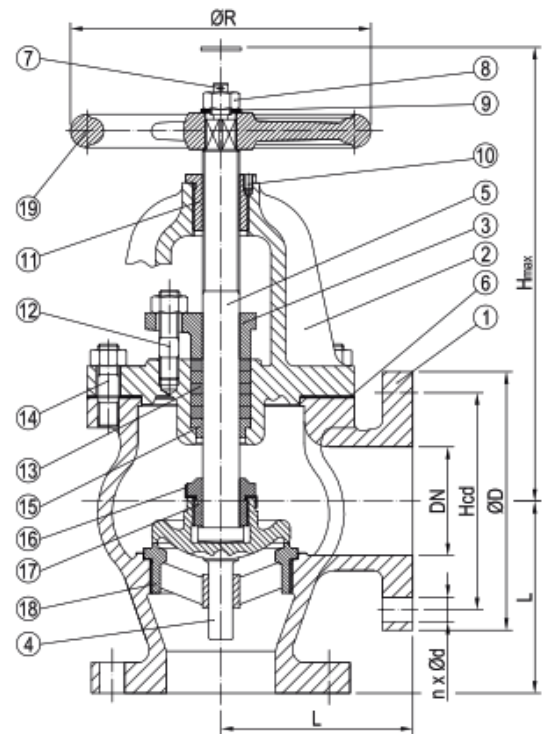
Design Code: JIS F7306
 Inspection Standard: JIS F7400
 Flange Standard: JIS B2239
 Face To Face Standard: JIS 7425 (F7306)
 Flanges Drilled: JIS 5K (DN50-DN400)
 Pressure Rating: JIS 5K (DN50-DN400)

Variations:
 F-7306=Fixed Disc
 F-7354=SDNR



Material:

No	Part	Material	Code
1	Body	Cast Iron	HT200
2	Bonnet	Cast Iron	HT200
3	Gland	Brass	H62
4	Disc	Bronze	ZCuSn5Pb5Zn5
5	Stem	Brass	H62
6	Gasket	Graphite	-
7	Split Pin	Carbon Steel	A3
8	Nut	Carbon Steel	Q235A
9	Gasket Ring	Carbon Steel	Q235A
10	Screw	Carbon Steel	Q235A
11	Screwed Bonnet Bush	Brass	H62
12	Double Open End Bolt	Carbon Steel	Q235A
13	Packing	Graphite	-
14	Double Open End Bolt	Carbon Steel	Q235A
15	Packing Seat	Brass	H62
16	Check Washer	Brass	H62
17	Disc Nut	Brass	H62
18	Sealing Nut	Bronze	ZCuSn5Pb5Zn5
19	Handwheel	Cast Iron	HT200



DN	n x Ød	Hcd	ØD	L	H (max)	ØR	Kg
50	4x15	105	130	100	270	160	12.9
65	4x15	130	155	115	300	180	18.2
80	4x19	145	180	130	310	180	23.4
100	8x19	165	200	150	360	224	33.7
125	8x19	200	235	170	390	250	46.2
150	8x19	230	265	190	445	280	63.4
200	8x23	280	320	220	530	315	105.0
250	12x23	345	385	275	650	355	176.0
300	12x23	390	430	310	740	400	243.0
350	12x25	435	480	360	840	500	335.0
400	16x25	495	540	395	940	560	459.0

All measurements in mm. Weights are approximations