



Globe Valve

Angle Type, Flanged Ends

F-7320/F-7472
JIS 10K

Description: Angle type, cast steel body, metal seated screw down stop valve with rising stem, bolted bonnet, flat faced flanged

Application: Start/stop and throttling of; sea water, water, steam and oils, etc

Standard & Design:

Design Code:	JIS F7320
Inspection Standard:	JIS F7400
Flange Standard:	JIS B2220
Face To Face Standard:	JIS F7426 (F7320)
Flanges Drilled:	JIS 10K (DN50-DN300)
Pressure Rating:	JIS 10K (DN50-DN300)

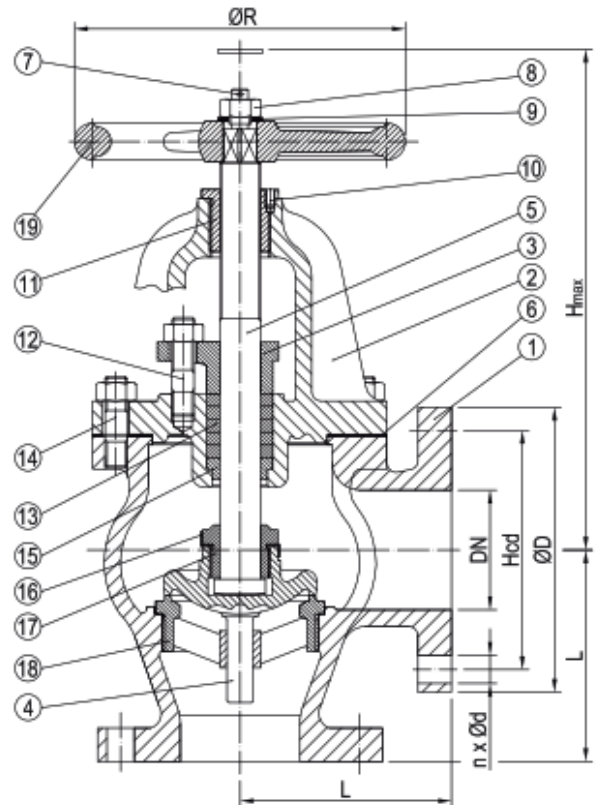
Variations:

F-7320=Fixed Disc
F-7472=SDNR



Material:

No	Part	Material	Code
1	Body	Cast Steel	ZG230-450
2	Bonnet	Cast Steel	ZG230-450
3	Gland	Stainless Steel	2Cr13
4	Disc	Stainless Steel	2Cr13
5	Stem	Stainless Steel	2Cr13
6	Gasket	Graphite	-
7	Split Pin	Carbon Steel	A3
8	Nut	Carbon Steel	Q235A
9	Gasket Ring	Carbon Steel	Q235A
10	Screw	Carbon Steel	Q235A
11	Screwed Bonnet Bush	Brass	H62
12	Double Open End Bolt	Carbon Steel	Q235A
13	Packing	Graphite	-
14	Double Open End Bolt	Carbon Steel	Q235A
15	Packing Seat	Brass	H62
16	Check Washer	Brass	H62
17	Disc Nut	Stainless Steel	2Cr13
18	Sealing Nut	Stainless Steel	2Cr13
19	Handwheel	Cast Iron	HT200



DN	n x Ød	Hcd	ØD	L	H (max)	ØR	Kg
50	4x19	120	155	120	240	160	16.3
65	4x19	140	175	130	260	200	23.0
80	8x19	150	185	140	265	200	25.3
100	8x19	175	210	160	300	250	37.0
125	8x23	210	250	180	350	280	57.1
150	8x23	240	280	205	400	315	77.2
200	12x23	290	330	230	480	355	116.0
250	12x25	355	400	290	535	400	188.0
300	16x25	400	445	320	610	450	256.0

All measurements in mm. Weights are approximations