



Storm Valve

Angle Type, Flanged Ends

F-3060
JIS 10K

Description: Angle type, with manual closing device, cast steel body, soft sealing disc, flat faced flanged

Application: Ship side valve for discharge of various sanitary systems. Preventing sea water from entering the piping system

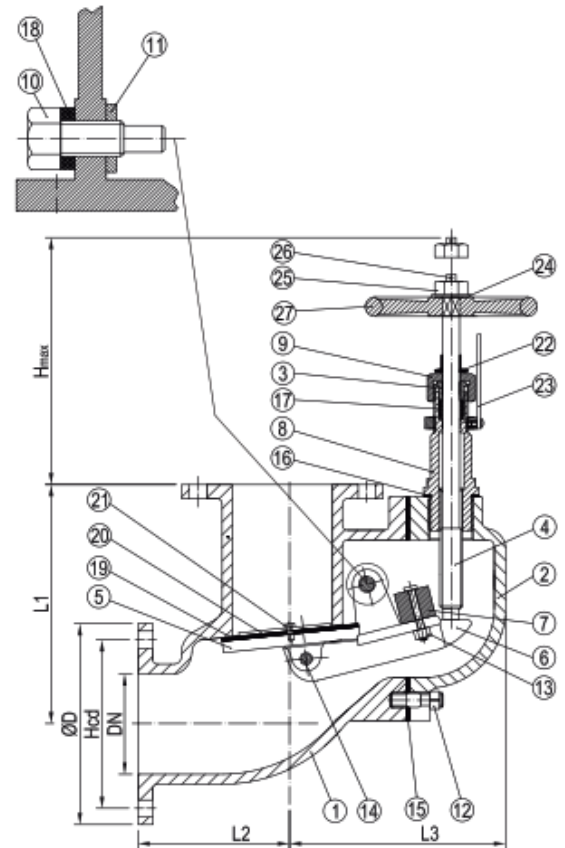
Standard & Design:

Design Code:	JIS F3060R
Inspection Standard:	JIS F7400
Flange Standard:	JIS B2220
Face To Face Standard:	JIS F3060R
Flanges Drilled:	JIS 10K (DN50-DN150)
Pressure Rating:	JIS 10K (DN50-DN150)



Material:

No	Part	Material	Code
1	Body	Cast Steel	ZG230-450
2	Cover	Cast Steel	ZG230-450
3	Gland	Brass	H62
4	Spindle	Stainless Steel	2Cr13
5	Valve Plate	Brass	H62
6	Closing Arm For Valve Plate	Brass	H62
7	Counterweight	Lead	Pb
8	Spindle Box	Brass	H62
9	Packing Gland Nut	Brass	H62
10	Valve Axle	Stainless Steel	2Cr13
11	Washer	Brass	H62
12	Nut	Carbon Steel	Q235A
13	Nut	Carbon Steel	Q235A
14	Nut	Brass	H62
15	Gasket	Graphite	-
16	Gasket	Graphite	-
17	Packing	Graphite	-
18	Gasket	Graphite	-
19	Gasket	NBR	-
20	Set Plate For Gasket	Stainless Steel	304
21	Set Screw For Gasket	Carbon Steel	Q235A
22	Staff	Brass	H62
23	Staff	Brass	H62
24	Cushion	Carbon Steel	Q235A
25	Nut	Carbon Steel	Q235A
26	Split Pin	Carbon Steel	A3
27	Handwheel	Cast Iron	FC200



DN	n x Ød	Hcd	ØD	L1	L2	L3	H (max)	Kg
50	4x19	120	155	170	90	135	187	12.9
65	4x19	140	175	200	110	145	175	17.8
80	8x19	150	185	220	120	155	180	22.4
100	8x19	175	210	250	130	175	175	29.8
125	8x23	210	250	270	150	195	192	46.0
150	8x23	240	280	310	165	215	187	54.0

All measurements in mm. Weights are approximations