
Flame arresters

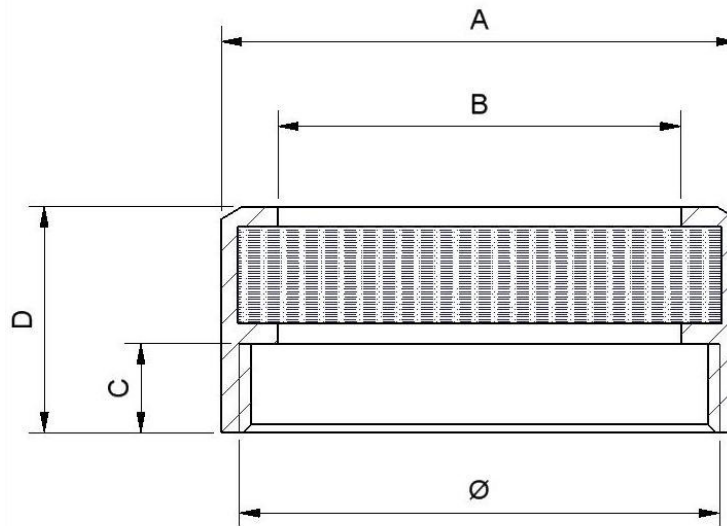
Contents

Contents	page
Type 1012	4
Type 1016	5
Type 1020	6
Type 1022	7
Type 2000	8



Flame arresters

Type 1012



Standard Type

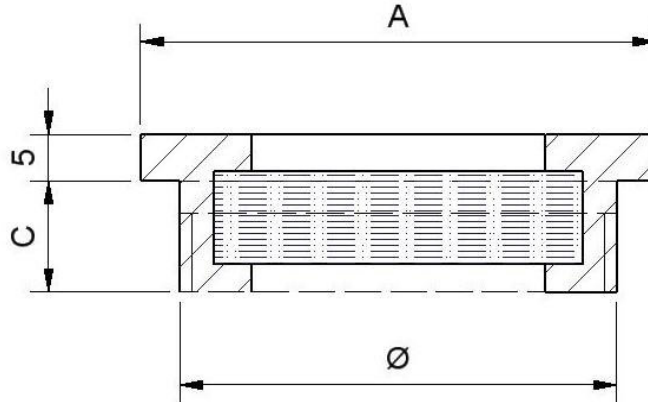
With female thread

Body: Brass
 Screen: German silver
 Pin: Copper
 Screen: free area 40%
 Thread: BSP

Ø	1"	1¼"	1½"	2"	2½"	3"	4"
A	39	47	53	64	82	94	118
B	25	32	38	48	63	74	99
C	9	9	10	13	20	22	22
D	21	22	23	28	35	39	39
Net weight in KG	0,1	0,15	0,2	0,25	0,4	0,6	0,9

Flame arresters

Type 1016



Standard Type

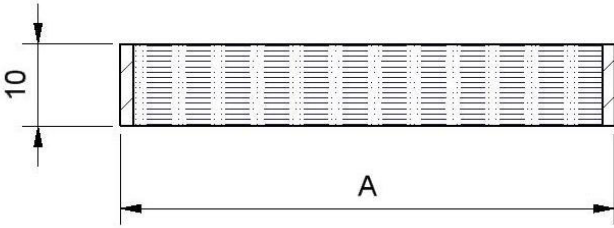
With male thread

Body: Brass
 Screen: German silver
 Pin: Copper
 Screen: free area 40%
 Thread: BSP

Ø	1"	1¼"	1½"	2"	2½"	3"	4"
A	41	47	56	68	82	98	118
C	12	12	12	12	13	13	14
Net weight in KG	0,1	0,1	0,2	0,3	0,3	0,5	0,8

Flame arresters

Type 1020



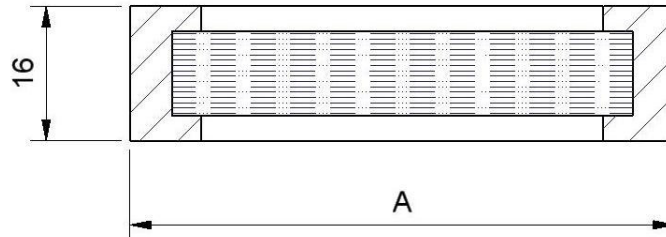
Standard Type

Single flame arrester

- Body: Brass
- Screen: German silver
- Pin: Copper
- Thickness: 10 mm
- Screen: free area 40%
- Sizes: made to order, starting from A = 25 mm dia.

Flame arresters

Type 1022



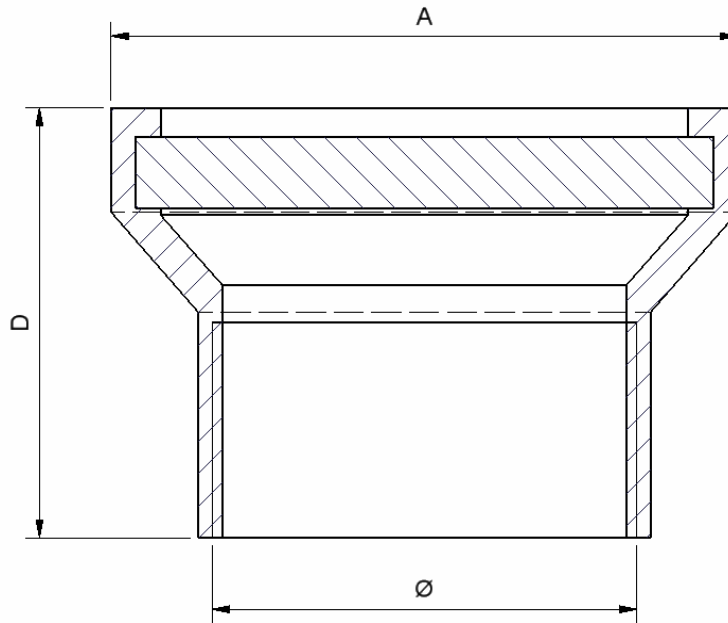
Standard Type

For fitting between 2 pipes

Body: Brass
Screen: German silver
Pin: Copper
Thickness: 16 mm
Screen: free area 40%
Sizes: made to order, starting from A = 25 mm dia.

Flame arresters

Type 2000



Standard Type

With reducer

Body: Brass
 Screen: German silver
 Pin: Copper
 Screen: free area 40%
 Thread: BSP

Ø		1¼"	1½"	2"	2½"	3"	4"
A		77	88	88	118	136	167
D		42	65	65	65	65	75
Net weight in KG		0,5	0,6	0,6	1	1,5	2,5