



# Quick closing valve angled type, JIS 501102

## Description

Quick closing valve is most often used in fuel related systems where there is a need to shut off the flow instantly. Universal release cylinder for mechanical, hydraulic or pneumatic closing. Integrated fire release safety.

## Specifications

Flange standard:	JIS B2239
Bonnet connection:	Bolted
Execution:	Angled
Connection type:	Flanged
Operation:	Handwheel, Hydraulic, Pneumatic
Actuation:	Multiturn



## Application

As required by SOLAS Ch. II-2/Reg. 4/2.2.3.4, installed on tanks containing inflammable liquids to instantly shut off all flow in the event of a fire.

## Media

Flammable media. Fuel oil, lubricating oil and flammable hydraulic oil. Cargo oil. Non-flammable hydraulic fluid. Boiler feedwater, condensate. Seawater and freshwater.

## Options

Limit switch for indication of position.

## Material

No.	Part	Material
1	Body	Ductile iron EN-JS1030 (GGG40)
2	Bonnet	Ductile iron EN-JS1030 (GGG40)
3	Seat ring	Stainless steel 1.4301 (AISI304)
4	Disc	Stainless steel 1.4301 (AISI304)
5	Spring	Spring steel SH (1084 ASTM A713)
6	Gasket	NBR bonded aramid
7	O-ring	FPM/FKM

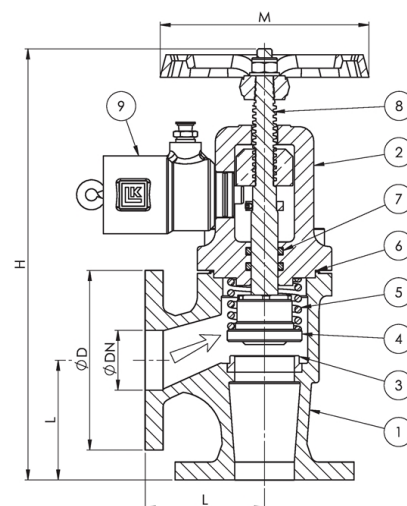


## Material

No.	Part	Material
8	Stem	Stainless steel 1.4301 (AISI304)
9	Release cylinder	Brass CW614N (Ms58)

## Max. working pressure (bar) at °C

DN	Connection	up to 120°C	180°C
25 - 125	JIS 5K	16	10



## Items

DN	Pressure rating	Connection	L	D	H	M	Weight (kg)	Color	Item no.
25	PN 16	JIS 5K	65	95	249	120	4.8	Red RAL 3011	30160
32	PN 16	JIS 5K	80	115	268	120	5.3	Red RAL 3011	30161
40	PN 16	JIS 5K	80	120	289	140	7.7	Red RAL 3011	30162
50	PN 16	JIS 5K	100	130	303	140	9.1	Red RAL 3011	30163
65	PN 16	JIS 5K	115	155	353	140	12.0	Red RAL 3011	30164
80	PN 16	JIS 5K	130	180	379	160	17.0	Red RAL 3011	30165
100	PN 16	JIS 5K	150	200	428	160	26.0	Red RAL 3011	30166
125	PN 16	JIS 5K	170	235	479	200	37.0	Red RAL 3011	30167

All measurements in mm. Weights are approximations.