

Tank Vent Check Valves Type RM (ANSI 150)

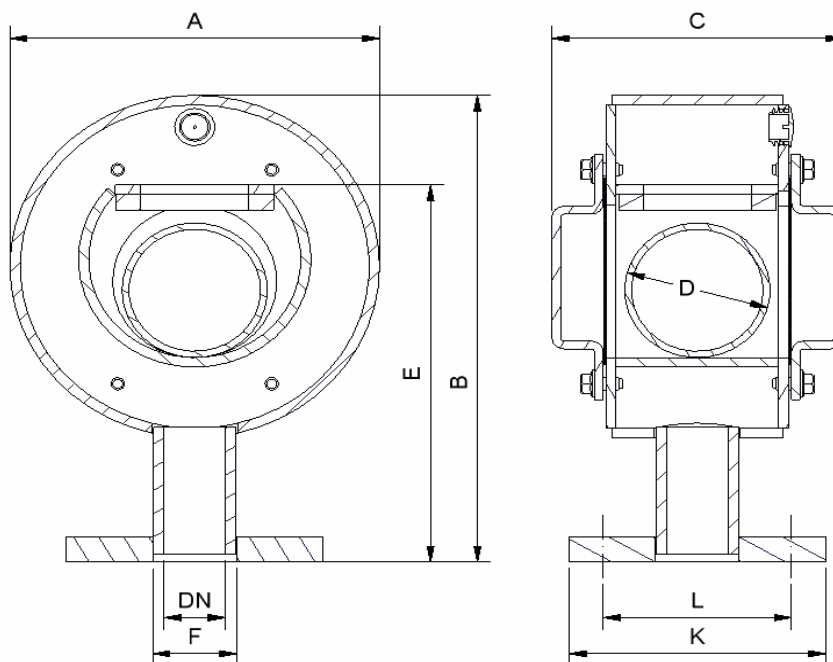
RM with ANSI 150 flange - DN 40-150

Standard type

Galvanised steel (thickness according IACS rules)
With PE Float ball
With Flange acc. ANSI 150 lbs B16.5
Slip on flange with raised face 1.6mm
Airflow Velocity: max. 4 m/s
With Screen

Options

No Screen
Other Flange Connection



DN	40 / 1½"	50 / 2"	65 / 2½"	80 / 3"	100 / 4"	125 / 5"	150 / 6"
A	216	216	275	275	347	414	496
B	294	294	354	354	422	506	590
C	170	170	220	220	250	290	340
D	85	85	120	120	145	185	240
E	238	238	281	281	332	404	465
F (Ø)	48.3	60.3	76.1	88.9	114.3	140	168.3
K	127	152	178	191	229	254	279
L Stc.	99	121	140	152	191	216	241
L boltholes	4 / Ø16	4 / Ø19	4 / Ø19	4 / Ø19	8 / Ø19	8 / Ø22	8 / Ø22
(all sizes in mm)							
Weight in kg	12	12	19	20	30	43	61

Tank Vent Check Valves Type RM (ANSI 150)

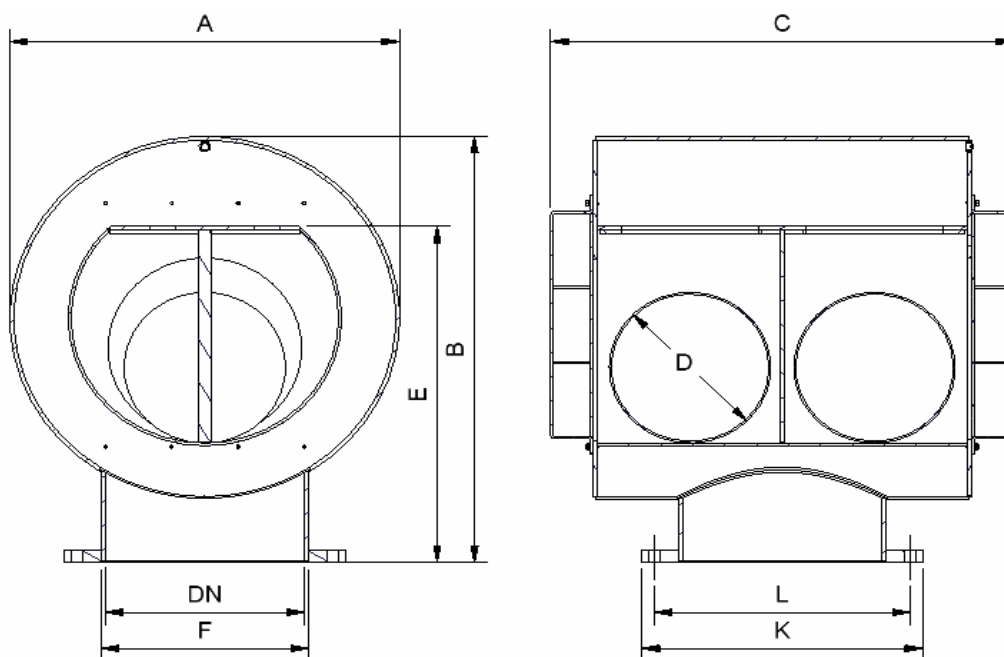
RM with ANSI 150 flange - DN 200-400

Standard type

Galvanised steel (thickness according IACS rules)
With PE Float ball
With Flange acc. ANSI 150 lbs B16.5
Slip on flange with raised face 1.6mm
Airflow Velocity: max. 4 m/s
With Screen

Options

No Screens
Other Flange Connection



DN	200 / 8"	250 / 10"	300 / 11"	350 / 12"	400 / 16"
A	414	502	593	646	784
B	531	650	733	800	918
C	585	705	820	890	932
D	185	240	300	325	325
E	432	526	588	661	725
F (Ø)	219.1	273	324	368	419
K	343	406	483	533	597
L Stc.	298.5	362	432	476	540
L boltholes	8 / Ø22	12 / Ø25	12 / Ø25	12 / Ø28	16 / Ø28
Weight in kg	76	112	151	190	274

(all sizes in mm)