

## Tank Vent Check Valves Type RM (JIS5K)

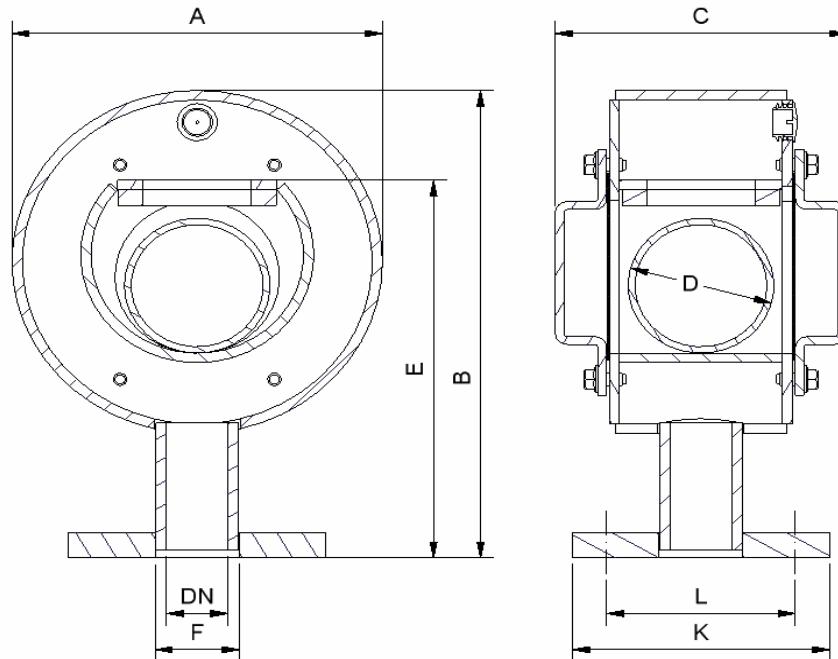
### RM with JIS 5K flange - DN 40-175

#### Standard type

Galvanised steel (thickness according IACS rules)  
With PE Float ball  
With Flange acc. JIS 5K  
Airflow Velocity: max. 4 m/s  
With Screen

#### Options

No Screen  
Other Flange Connection



DN	40	50	65	80	100	125	150	175
A	216	216	275	275	347	414	496	496
B	294	294	354	354	422	506	590	590
C	170	170	220	220	250	290	340	340
D	85	85	120	120	145	185	240	240
E	238	238	281	281	332	404	465	465
F (Ø)	48.3	60.3	76.1	88.9	114.3	140	168.3	193.7
K	120	130	155	180	200	235	265	300
L Stc.	95	105	130	145	165	200	230	260
L boltholes	4 / Ø15	4 / Ø15	4 / Ø15	4 / Ø19	8 / Ø19	8 / Ø19	8 / Ø19	8 / Ø23
(all sizes in mm)								
Weight in kg	10	11	18	18	28	40	59	60

## Tank Vent Check Valves Type RM (JIS5K)

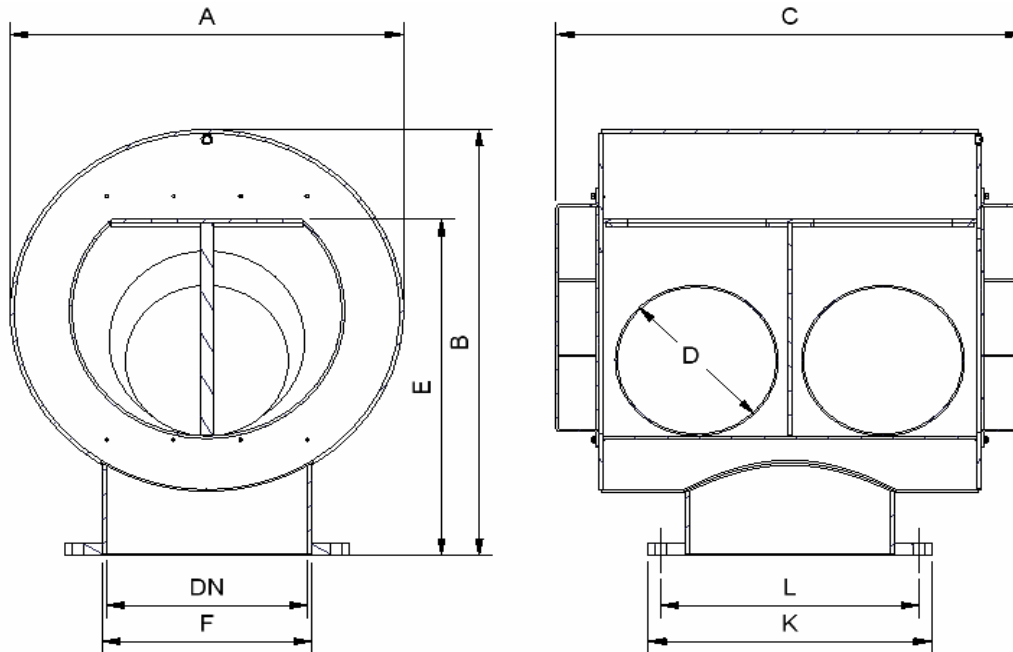
### RM with JIS 5K flange - DN 200-450

#### Standard type

- Galvanised steel (thickness according IACS rules)
- With PE Float ball (2)
- With Flange acc. JIS 5K
- Airflow Velocity: max. 4 m/s
- With Screen (2)

#### Options

- No Screens
- Other Flange Connection



DN	200	250	300	350	400	450
A	414	502	593	646	784	876
B	531	650	733	800	918	1005
C	585	705	620	890	932	1250
D	185	240	300	325	325	360
E	432	526	588	661	725	823
F (Ø)	219.1	273	324	368	419	479
K	320	385	430	480	540	605
L Stc.	280	345	390	435	495	555
L boltholes	8 / Ø23	12 / Ø23	12 / Ø23	12 / Ø25	16 / Ø25	16 / Ø25
Weight in kg	72	108	146	183	200	330