

Description

Quick closing valve is most often used in fuel related systems where there is a need to shut off the flow instantly. Universal release cylinder for mechanical, hydraulic or pneumatic closing. Integrated fire release safety.

Specifications

Flange standard:	ISO 7005-2
Face to face standard:	EN 558, series 1
Bonnet connection:	Bolted
Execution:	Straight
Connection type:	Flanged
Operation:	Handwheel, Hydraulic, Pneumatic
Actuation:	Multiturn



Application

As required by SOLAS Ch. II-2/Reg. 4/2.2.3.4, installed on tanks containing inflammable liquids to instantly shut off all flow in the event of a fire.

Media

Flammable media. Fuel oil, lubricating oil and flammable hydraulic oil. Cargo oil. Non-flammable hydraulic fluid. Boiler feedwater, condensate. Seawater and freshwater.

Options

Limit switch for indication of position.

Material

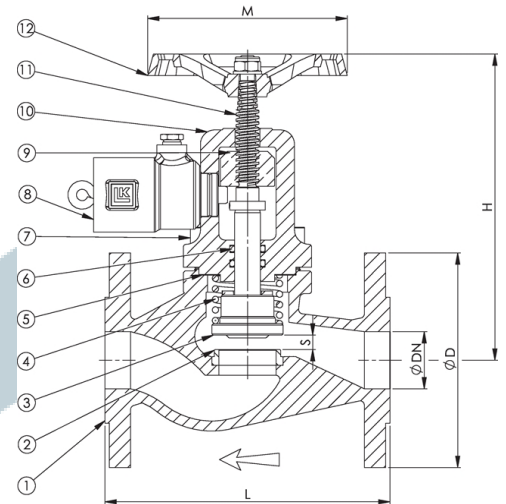
No.	Part	Material
1	Body	Ductile iron EN-JS1030 (GGG40)
2	Seat ring	Stainless steel 1.4301 (AISI304)
3	Disc	Stainless steel 1.4301 (AISI304)
4	Spring, release unit	Spring steel SH (1084 ASTM A713)
5	Gasket	NBR bonded aramid
6	O-ring	FPM/FKM

Material

No.	Part	Material
7	Screw MC6S	8.8 FZB
8	Release cylinder	Brass CW614N (Ms58)
9	Setting nut	Brass CW617N (Ms58)
10	Bonnet	Ductile iron EN-JS1030 (GGG40)
11	Stem	Stainless steel 1.4301 (AISI304)
12	Handwheel	Cast iron EN-JL1040 (GG25)

Max. working pressure (bar) at °C

DN	Connection	up to 120°C	180°C
15 - 150	PN 16	16	10
200 - 250	PN 10	10	6
15 - 150	ANSI 150	16	10



DIN flanges

DN	Item no.	Pressure rating	Connection	L	D	H	S	M	Weight (kg)	Color
15	75230	PN 16	PN 16	130	95	176	7.5	120	4.7	Red RAL 3011
20	75238	PN 16	PN 16	150	105	178	7.5	120	5.9	Red RAL 3011
25	75246	PN 16	PN 16	160	115	188	8	120	6.8	Red RAL 3011
32	75254	PN 16	PN 16	180	140	192	8	120	8.4	Red RAL 3011
40	75262	PN 16	PN 16	200	150	202	10	140	10.0	Red RAL 3011

All measurements in mm. Weights are approximations.

DIN flanges

DN	Item no.	Pressure rating	Connection	L	D	H	S	M	Weight (kg)	Color
50	75270	PN 16	PN 16	230	165	224	12.5	140	14.0	Red RAL 3011
65	75278	PN 16	PN 16	290	185	253	16.5	140	19.0	Red RAL 3011
80	75286	PN 16	PN 16	310	200	253	20	160	26.0	Red RAL 3011
100	75294	PN 16	PN 16	350	220	298	25	160	46.0	Red RAL 3011
125	75302	PN 16	PN 16	400	250	338	32	200	54.0	Red RAL 3011
150	75310	PN 16	PN 16	480	285	410	37.5	200	72.0	Red RAL 3011
200	75334	PN 10	PN 10	600	340	575	50	400	150.0	Red RAL 3011
250	75335	PN 10	PN 10	730	405	615	63	400	183.0	Red RAL 3011

All measurements in mm. Weights are approximations.

Flanges drilled ANSI

DN	Item no.	Pressure rating	Connection	L	D	H	S	M	Weight (kg)
15	75233	PN 16	ANSI 150	130	95	176	7.5	120	5.2
20	75241	PN 16	ANSI 150	150	105	178	7.5	120	5.9
25	75249	PN 16	ANSI 150	160	115	188	8	120	6.1
32	75257	PN 16	ANSI 150	180	140	192	8	120	8.4
40	75265	PN 16	ANSI 150	200	150	202	10	140	10.0
50	75273	PN 16	ANSI 150	230	165	224	12.5	140	14.0
65	75281	PN 16	ANSI 150	290	185	253	16.5	140	17.0
80	75289	PN 16	ANSI 150	310	200	253	20	160	25.0
100	75297	PN 16	ANSI 150	350	220	298	25	160	46.0
125	75305	PN 16	ANSI 150	400	250	338	32	200	54.0
150	75313	PN 16	ANSI 150	480	285	410	37.5	200	69.0

All measurements in mm. Weights are approximations.

Flanges drilled ANSI with pipe connection

DN	Item no.	Pressure rating	Connection	L	D	H	S	M	Weight (kg)	Color
15	76125	PN 16	ANSI 150	130	95	176	7.5	120	5.2	Red RAL 3011
20	76126	PN 16	ANSI 150	150	105	178	7.5	120	5.9	Red RAL 3011
25	76127	PN 16	ANSI 150	150	105	178	7.5	120	6.8	Red RAL 3011

All measurements in mm. Weights are approximations.



Flanges drilled ANSI with pipe connection

DN	Item no.	Pressure rating	Connection	L	D	H	S	M	Weight (kg)	Color
32	76128	PN 16	ANSI 150	180	140	192	8	120	8.4	Red RAL 3011
40	76129	PN 16	ANSI 150	200	150	202	10	140	10.0	Red RAL 3011
50	76130	PN 16	ANSI 150	230	165	224	12.5	140	11.8	Red RAL 3011
65	76131	PN 16	ANSI 150	290	185	253	16.5	140	18.8	Red RAL 3011
80	76132	PN 16	ANSI 150	310	200	253	20	160	25.6	Red RAL 3011
100	76133	PN 16	ANSI 150	350	220	298	25	160	45.5	Red RAL 3011
125	76134	PN 16	ANSI 150	400	250	338	32	200	54.0	Red RAL 3011
150	76135	PN 16	ANSI 150	480	285	410	37.5	200	72.0	Red RAL 3011

All measurements in mm. Weights are approximations.

