

Description

Quick closing valve is most often used in fuel related systems where there is a need to shut off the flow instantly. Universal release cylinder for mechanical, hydraulic or pneumatic closing. Integrated fire release safety.

Specifications

Flange standard:	JIS B2239
Bonnet connection:	Bolted
Execution:	Straight
Connection type:	Flanged
Operation:	Handwheel, Hydraulic, Pneumatic
Actuation:	Multiturn



Application

As required by SOLAS Ch. II-2/Reg. 4/2.2.3.4, installed on tanks containing inflammable liquids to instantly shut off all flow in the event of a fire.

Media

Flammable media. Fuel oil, lubricating oil and flammable hydraulic oil. Cargo oil. Non-flammable hydraulic fluid. Boiler feedwater, condensate. Seawater and freshwater.

Options

Limit switch for indication of position.

Material

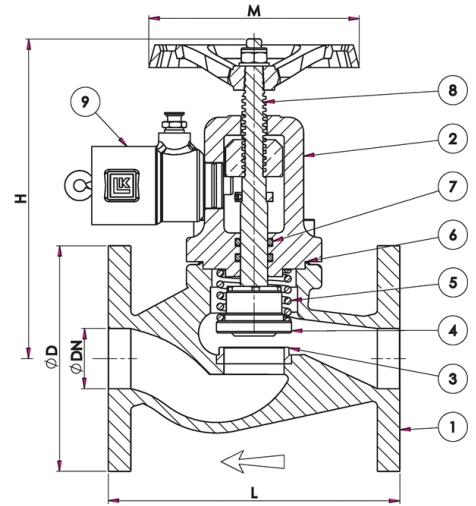
No.	Part	Material
1	Body	Ductile iron EN-JS1030 (GGG40)
2	Bonnet	Ductile iron EN-JS1030 (GGG40)
3	Seat ring	Stainless steel 1.4301 (AISI304)
4	Disc	Stainless steel 1.4301 (AISI304)
5	Spring	Spring steel SH (1084 ASTM A713)
6	Gasket	NBR bonded aramid
7	O-ring	FPM/FKM

Material

No.	Part	Material
8	Stem	Stainless steel 1.4301 (AISI304)
9	Release cylinder	Brass CW614N (Ms58)

Max. working pressure (bar) at °C

DN	Connection	up to 120°C	180°C
25 - 125	JIS 5K	16	10



Items

DN	Item no.	Pressure rating	Connection	L	D	H	M	Weight (kg)	Color
25	30180	PN 16	JIS 5K	120	95	245	120	4.7	Red RAL 3011
32	30181	PN 16	JIS 5K	140	115	259	120	5.3	Red RAL 3011
40	30182	PN 16	JIS 5K	160	120	274	140	7.8	Red RAL 3011
50	30183	PN 16	JIS 5K	210	130	282	140	9.4	Red RAL 3011
65	30184	PN 16	JIS 5K	250	155	336	140	14.0	Red RAL 3011
80	30185	PN 16	JIS 5K	280	180	372	160	20.0	Red RAL 3011
100	30186	PN 16	JIS 5K	340	200	410	160	29.0	Red RAL 3011
125	30187	PN 16	JIS 5K	410	235	472	200	41.0	Red RAL 3011

All measurements in mm. Weights are approximations.