

# THE POWER IS YOURS!



## X SERIES

- HOUSING
- INPUT SHAFT
- QUADRANT
- WORM
- STROKE ADJUSTMENT
- INDICATOR
- COATING





# X SERIES

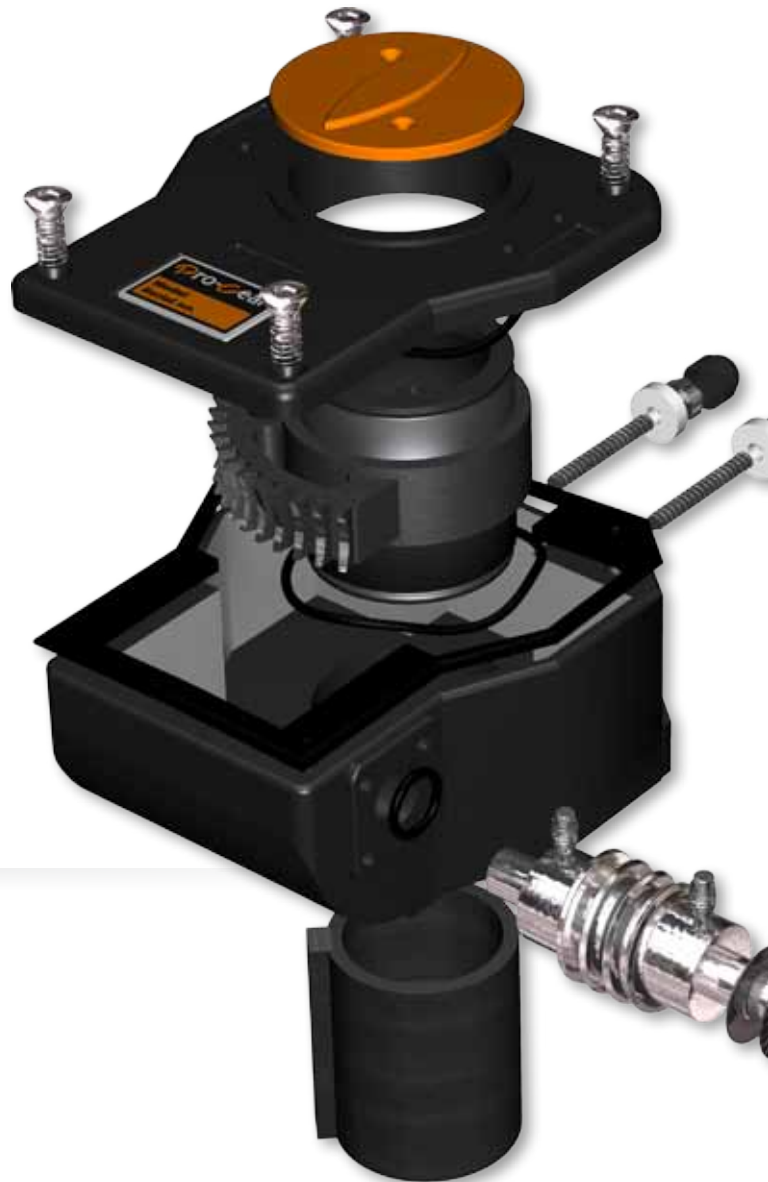
The Pro-Gear Series "X" quarter turn gearboxes are very light weighted, but rugged industrial grade products, made of a high pressure casted aluminium housing. All models in this series feature high performance bearings and a powder coated finish.

## APPLICATIONS

The X series is highly suitable for all general industrial applications as well as applications in chemical, power, HVAC and waterwork.

Pro-Gear's operators are intended for the operation of ball, plug and butterfly valves as well as power and process dampers.

The usage of high grade, but very light materials provides a tough, reliable and very light weighted unit for the automation of today's high performance industrial valves.



## PERFORMANCE SPECIFICATIONS

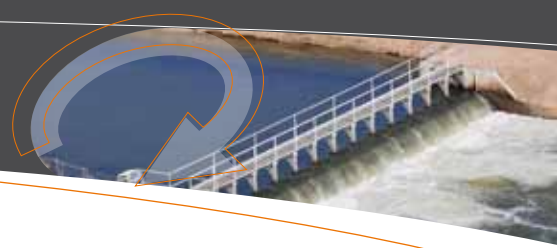
- > 3 Models
- > Up to 600 Nm. Torque range
- > -5° to 95° stroke
- > IP 67 sealing
- > -25 °C to + 110 °C (-13 °F to 230 °F) temperature range

TYPE	RATIO	TORQUE (Nm)		M.A. ± 10%	WEIGHT (Kg)
		OUTPUT	INPUT		
X-21	40 : 1	200	19.7	10.2	0.93
X-41	44 : 1	400	35.7	11.2	1.62
X-61	34 : 1	600	51.3	11.7	2.76

1Nm=0,737562 lbf.ft. 1Nm=8,8507 lbf.ins. [Converting International Units to British Units]

## FEATURES

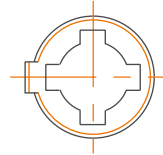
- > High pressure casted aluminium housing
- > Stainless Steel input shaft
- > Stainless steel fasteners
- > 3 Models up to 600 Nm. output torque
- > Axial needle bearings
- > NBR 70 sealing materials
- > Powder coated finish
- > Insert bush system for flexibility and reduced lead times (interchangeable with Q-series inserts)
- > Blind tapped PCD's



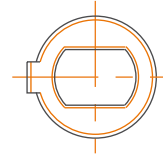
**PARTS / MATERIALS LIST X SERIES**

PART NO	DESCRIPTION	MATERIAL	SPECS / STANDARD
1	Body	Aluminium alloy	ADC 12
2	Coverplate	Aluminium alloy	ADC 12
3	Pos. Indicator	PA	PA
4	Quadrant	Ductile-iron	GGG40 / ASTM A356
5	Worm	Carbon steel	C45-K
6	Shaft	Stainless steel	
7	Axial needle bearing		
8	Gasket	Nitrile	NBR-70° shore
9	O-rings	Nitrile	NBR-70° shore
10	Grease	Complex EP-0	DIN KG0G0.5N-30 ISO-L-XCDIB0.5
11	Fasteners	Stainless steel	

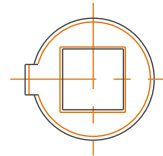
Avialable stem connections for X-series  
(Special stem connections on request)



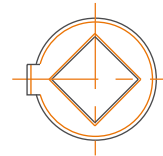
Stem suited with key



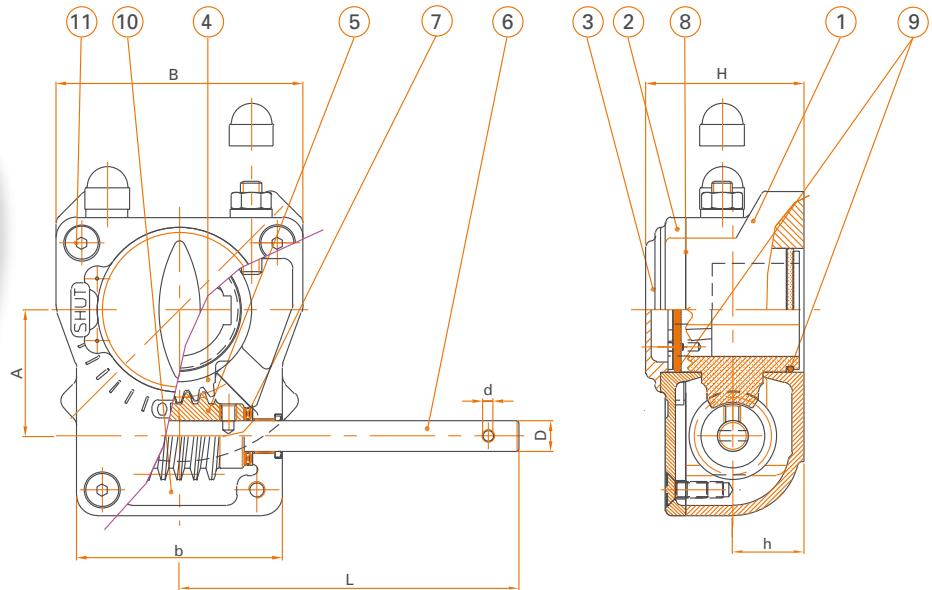
Stem suited with two flats



Square stem < 90°



Square stem < 45°

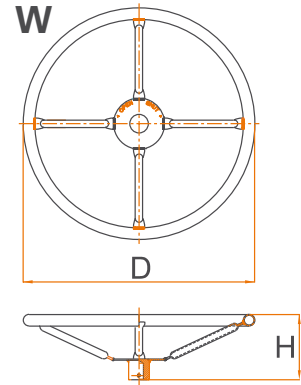
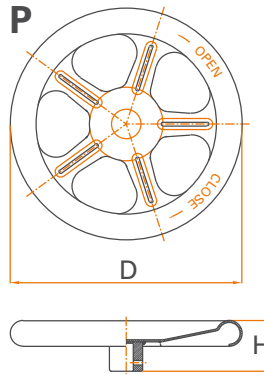


GEARBOX	TYPE	A	b	B	d	D	h	H	L	VALVE CONNECTION ACC ISO 5211	
X-21	MM	43.5	67	84	4	12	25.5	51.25	118	50 (F05)	70 (F07)
	INCH	1.71	2.64	3.31	0.16	0.47	1	2.01	4.65	1.97	2.76
X-41	MM	52.5	85.5	112	4	12	30	63.5	126.5	70 (F07)	102 (F10)
	INCH	2.07	3.37	4.41	0.16	0.47	1.18	2.50	4.98	2.76	4.02
X-61	MM	61.25	100	120	5	15	35	77	165	102 (F10)	125 (F12)
	INCH	2.41	3.93	4.72	0.20	0.59	1.38	3.03	6.50	4.02	4.92

## HANDWHEELS "P(PRESSED) SERIES"

TYPE	D	H
P100	Ø 100	38
P125	Ø 125	42
P160	Ø 160	48
P200	Ø 200	53
P250	Ø 250	66

Dimensions mentioned in mm.



## HANDWHEELS "W(ELDED) SERIES"

TYPE	D	H
W125	Ø 125	50.5
W160	Ø 160	54
W200	Ø 200	67.5
W250	Ø 250	73
W300	Ø 300	80

Dimensions mentioned in mm.



## THE POWER IS YOURS!

Pro-Gear GmbH is a young, highly flexible team, who are carrying out every element of design, assembly and quality control with the utmost care.

The unique combination of the products, together with the know how and assembling facilities are creating for clients a relationship, unique in the valve actuator industries.



GOST certificated

**Pro-Gear**  
VALVE ACTUATORS

Kopenhagener Straße 21  
D-48455 Bad Bentheim - Gildehaus  
Tel +49 (0)5924 255 840 - Fax +49 (0)5924 255 841  
E-mail info@pro-gear.de - www.pro-gear.de

