



Globe Valve

Angle Type, Flanged Ends

133L
PN16

Description: Angle type, bronze body, metal seated screw down stop valve, rising stem, bolted bonnet, raised faced flanged

Application: Start/stop and throttling of; sea water, water, condensate and oils; fuel oil lubricating oil, cargo oil, etc

Standard & Design:

Flange Standard: EN 1092-3
 Face To Face Standard: BS 5154
 Bonnet: Bolted
 Execution: Angled
 Flanges Drilled: PN16 (DN15-DN150)

Variations: 133L-SDSL=Fixed Disc
 133L-SDNR=SDNR

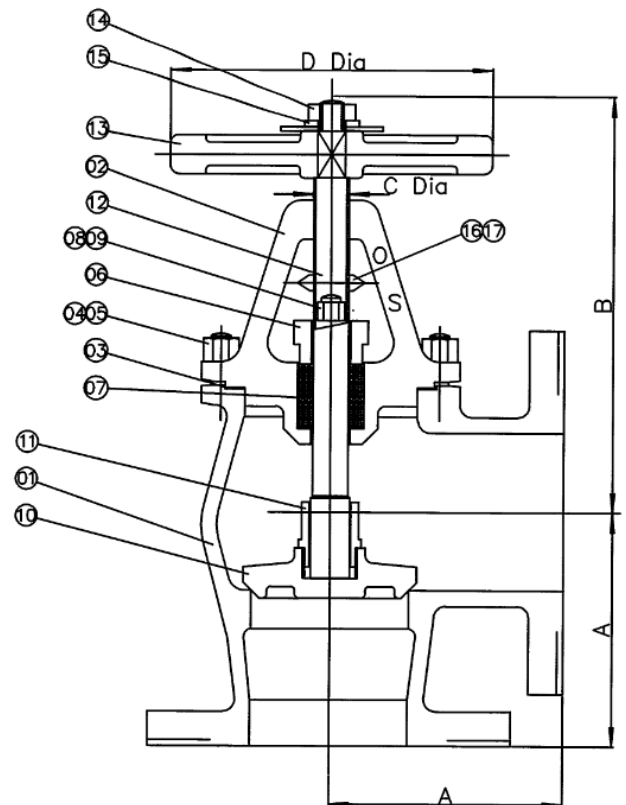


Max. Working Pressure (bar) at °C:

DN	Connection	up to 120°C	200°C
15 - 150	PN16	16	13.5

Material:

No	Part	Material	Code
1	Body	Bronze	BS1400 LG2
2	Cover	Bronze	BS1400 LG2
3	Cover Joint	Non-Asbestos	-
4	Cover Stud / Bolt	Zinc Plated Steel	-
5	Cover Stud Nut	Zinc Plated Steel	-
6	Gland	Bronze	BS1400 LG2
7	Gland Packing	Non-Asbestos	-
8	Gland Stud	Zinc Plated Steel	-
9	Gland Stud Nut	Zinc Plated Steel	-
10	Disc	Bronze	BS1400 LG2
11	Disc Stem Nut	Manganese Bronze	BS2874 CZ114
12	Stem	Manganese Bronze	BS2874 CZ114
13	Handwheel	Cast Iron	-
14	Handwheel Nut	Zinc Plated Steel	-
15	Washer	Zinc Plated Steel	-
16	Indicator	Manganese Bronze	BS2874 CZ114
17	Indicator Screw	Steel	-



DN	Pressure Rating	Connection	A	B	C	D	Kg
15	PN16	PN16	70	114	10	65	3.6
20	PN16	PN16	75	121	12	65	3.6
25	PN16	PN16	85	131	12	90	5.5
32	PN16	PN16	95	161	16	90	6.0
40	PN16	PN16	100	175	18	102	8.5
50	PN16	PN16	115	180	18	127	11.6
65	PN16	PN16	125	184	20	127	15.0
80	PN16	PN16	135	207	20	152	20.0
100	PN16	PN16	146	270	24	200	33.0
125	PN16	PN16	165	325	30	254	64.0
150	PN16	PN16	178	350	33	305	75.0

All measurements in mm. Weights are approximations