



Globe Valve

Straight Type, Flanged Ends

133
PN16

Description: Straight type, bronze body, metal seated screw down stop valve, rising stem, bolted bonnet, raised faced flanged

Application: Start/stop and throttling of; sea water, water, condensate and oils; fuel oil lubricating oil, cargo oil, etc

Standard & Design:

Flange Standard: EN 1092-3
 Face To Face Standard: BS 5154
 Bonnet Bolted
 Execution: Straight
 Flanges Drilled: PN16 (DN15-DN150)

Variations: 133-SDSL=Fixed Disc
 133-SDNR=SDNR

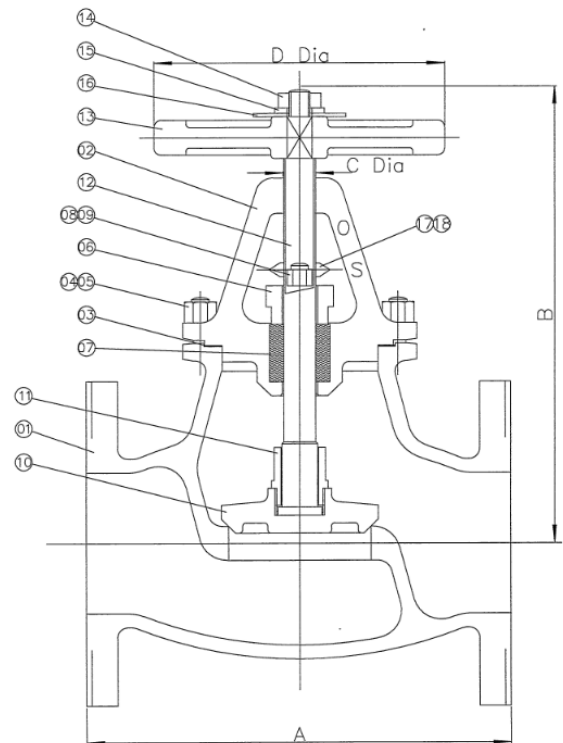


Max. Working Pressure (bar) at °C:

DN	Connection	up to 120°C	200°C
15 - 150	PN16	16	13.5

Material:

No	Part	Material	Code
1	Body	Bronze	BS1400 LG2
2	Cover	Bronze	BS1400 LG2
3	Cover Joint	Non-Asbestos	-
4	Cover Stud / Bolt	Zinc Plated Steel	-
5	Cover Stud Nut	Zinc Plated Steel	-
6	Gland	Bronze	BS1400 LG2
7	Gland Packing	Non-Asbestos	-
8	Gland Stud	Zinc Plated Steel	-
9	Gland Stud Nut	Zinc Plated Steel	-
10	Disc	Bronze	BS1400 LG2
11	Disc Stem	Manganese Bronze	BS2874 CZ114
12	Stem	Manganese Bronze	BS2874 CZ114
13	Handwheel	Cast Iron	-
14	Handwheel Nut	Zinc Plated Steel	-
15	Washer	Zinc Plated Steel	-
16	Name Plate	Aluminium	-
17	Indicator	Manganese Bronze	BS2874 CZ114
18	Indicator Screw	Steel	-



DN	Pressure Rating	Connection	A	B	C	D	Kg
15	PN16	PN16	108	112	10	65	3.4
20	PN16	PN16	117	122	12	65	3.8
25	PN16	PN16	125	136	12	90	5.5
32	PN16	PN16	146	171	16	90	7.0
40	PN16	PN16	159	187	18	102	9.0
50	PN16	PN16	190	200	18	127	12.0
65	PN16	PN16	216	224	18	127	16.0
80	PN16	PN16	254	259	18	152	22.5
100	PN16	PN16	305	328	24	200	33.0
125	PN16	PN16	330	397	30	254	71.0
150	PN16	PN16	356	438	33	305	80.0

All measurements in mm. Weights are approximations