

## Description

Self-closing valve for tank sounding. With vent valve.

## Specifications

Bonnet connection:	Screwed
Execution:	Straight
Connection type:	Threaded female

## Media

Fuel oil, lubricating oil and flammable hydraulic oil. Cargo oil. Non-flammable hydraulic fluid. Boiler feedwater, condensate. Seawater and freshwater.

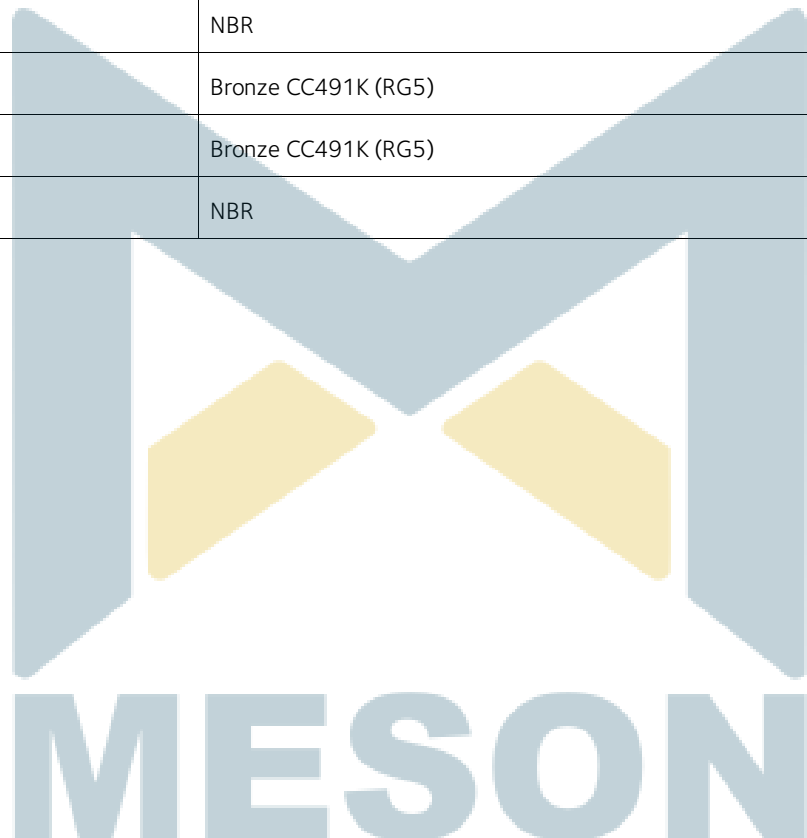
## Options

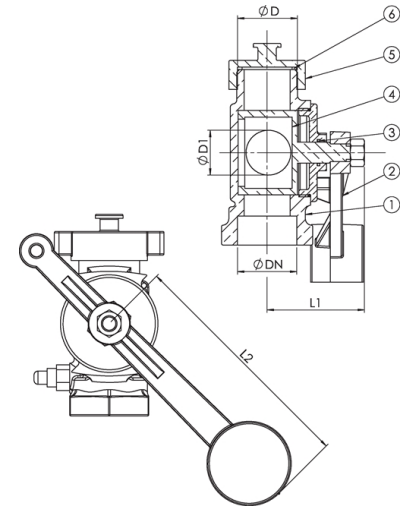
Footpedal.



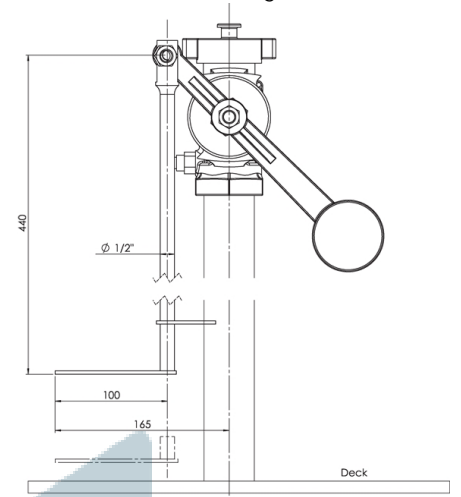
## Material

No.	Part	Material
1	Body	Bronze CC491K (RG5)
2	Lever	Cast iron EN-JL1040 (GG25)
3	Sealing	NBR
4	Plug of cock	Bronze CC491K (RG5)
5	Cap	Bronze CC491K (RG5)
6	Sealing	NBR





Sounding cock



Sounding cock with footpedal

## Items

DN	Item no.	Pressure rating	Connection (BSP)	D	D1	L1	L2	Weight (kg)
32	80273	PN 2.5	G 1 1/4"	G 1 1/2"	35	80	175	3.8
40	80274	PN 2.5	G 1 1/2"	G 1 1/2"	35	80	175	3.5
50	80275	PN 2.5	G 2"	G 1 1/2"	35	80	175	4.5
65	81885	PN 2.5	G 2 1/2"	G 1 1/2"	35	100	175	5.0
80	91860	PN 2.5	G 3"	G 1 1/2"	35	100	175	6.0

All measurements in mm. Weights are approximations.