

Description

Self closing valve used in water or fuel systems where the valves are opened with the lever and closed automatically by the spring. Can be locked in closed position by the handwheel. Metal sealing.

Specifications

Flange standard:	ISO 7005-2
Face to face standard:	ISO 5752, basic series 8
Bonnet connection:	Bolted
Execution:	Angled
Connection type:	Flanged
Operation:	Handwheel, Selfclosing
Actuation:	Multiturn



Media

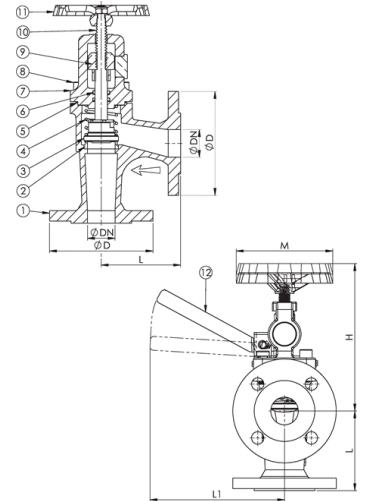
Thermal oil. Fuel oil, lubricating oil and flammable hydraulic oil. Cargo oil. Non-flammable hydraulic fluid. Boiler feedwater, condensate. Seawater and freshwater.

Material

No.	Part	Material
1	Body	Ductile iron EN-JS1030 (GGG40)
2	Seat ring	Stainless steel 1.4301 (AISI304)
3	Disc	Stainless steel 1.4301 (AISI304)
4	Spring	Spring steel SH (1084 ASTM A713)
5	Gasket	NBR bonded aramid
6	O-ring	FPM/FKM
7	Bonnet	Ductile iron EN-JS1030 (GGG40)
8	Bolt	8.8 FZB
9	Setting nut	Brass CW617N (Ms58)
10	Stem	Stainless steel 1.4301 (AISI304)
11	Handwheel	Cast iron EN-JL1040 (GG25)
12	Lever	Stainless steel 1.4301 (AISI304)

Max. working pressure (bar) at °C

DN	Connection	up to 120°C	180°C
15 - 80	PN 16	16	10
15 - 80	ANSI 150	16	10



DIN

DN	Item no.	Pressure rating	Connection	L	D	L1	H	M	Weight (kg)	Color
15	75670	PN 16	PN 16	90	95	166	185	120	4.3	Red RAL 3011
20	75671	PN 16	PN 16	95	105	166	185	120	4.5	Red RAL 3011
25	75672	PN 16	PN 16	100	115	168	195	120	5.6	Red RAL 3011
32	75673	PN 16	PN 16	105	140	168	194	120	7.1	Red RAL 3011
40	75674	PN 16	PN 16	115	150	201	217	140	10.0	Red RAL 3011
50	75675	PN 16	PN 16	125	165	204	217	140	12.0	Red RAL 3011
65	75676	PN 16	PN 16	145	185	278	254	140	17.0	Red RAL 3011
80	75677	PN 16	PN 16	155	200	285	259	160	24.0	Red RAL 3011

All measurements in mm. Weights are approximations.

Flanges drilled ANSI

DN	Item no.	Pressure rating	Connection	L	D	L1	H	M	Weight (kg)	Color
15	41714	PN 16	ANSI 150	95	105	166	185	120	4.3	Red RAL 3011
20	41715	PN 16	ANSI 150	100	115	168	195	120	5.0	Red RAL 3011
25	75845	PN 16	ANSI 150	90	95	166	185	120	5.6	Red RAL 3011
32	41716	PN 16	ANSI 150	105	140	168	194	120	7.4	Red RAL 3011
40	41717	PN 16	ANSI 150	115	150	201	217	140	10.0	Red RAL 3011

All measurements in mm. Weights are approximations.



Flanges drilled ANSI

DN	Item no.	Pressure rating	Connection	L	D	L1	H	M	Weight (kg)	Color
50	41718	PN 16	ANSI 150	125	165	204	217	140	12.0	Red RAL 3011
65	41719	PN 16	ANSI 150	145	185	278	254	140	17.0	Red RAL 3011
80	41720	PN 16	ANSI 150	155	200	285	259	160	22.0	Red RAL 3011

All measurements in mm. Weights are approximations.

