



Butterfly valve wafer type 700701 / 700702

Description

Soft seated, centric, wafer type butterfly valve with one-piece stem. Vulcanized rubber liner by injection moulding. Multiflange PN10/PN16/JIS5K/JIS10K. Top flange according to ISO 5211. Due to the meticulous vulcanization process of the lining, the valve can handle negative pressure (vacuum).

Specifications

Flange standard:	ISO 7005-2, JIS B2239
Face to face standard:	EN 558, series 20
Execution:	Wafer
Operation:	Electric, Gear box, Lever, Pneumatic
Actuation:	Quarterturn



Application

Temperature range -35°C to +95°C.

Media

Fuel oil, lubricating oil and flammable hydraulic oil. Cargo oil. Air. Gas. Non-flammable hydraulic fluid. Boiler feedwater, condensate. Seawater and freshwater.

Variants

Disc in AISI316. Lining in EPDM or FPM/FKM. Other body materials on request.

Options

Lever. Gear. Actuators.

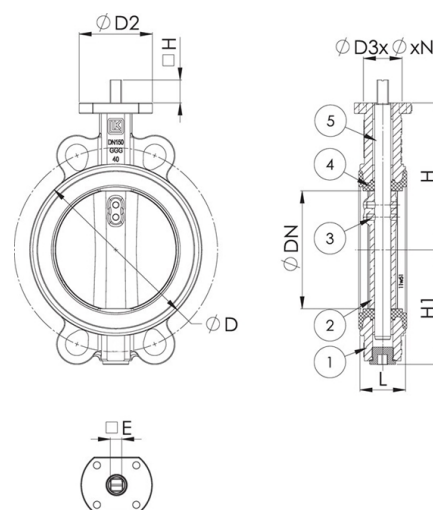
Material

No.	Part	Dimension	Material
1	Body		Ductile iron EN-JS1030 (GGG40)
2	Disc		Aluminium bronze CC333G (AB2)
3	Pin		Duplex stainless steel 1.4462
4	Sealing		NBR
5	Stem	DN 40-300	Stainless steel 1.4401 (AISI316)



Material

No.	Part	Dimension	Material
5	Stem	DN 350-600	Stainless steel 1.4057 (AISI431)



Butterfly wafer with bare stem

Bare stem

DN	Pressure rating	Connection	L	#E	D	D2	D3xØxN	#H	H	H1	Weight (kg)	Color	Item no.
40	PN 16	PN 10/16/25/ANSI 150/JIS 5K/10K	33	11	72	90	70x9x4 (F07)	19	113	67	1.5	Red RAL 3011	33981
50	PN 16	PN 10/16/25/ANSI 150/JIS 5K/10K	43	11	92	90	70x9x4 (F07)	19	118	71	2.4	Red RAL 3011	33982
65	PN 16	PN 6/10/16/25/ANSI 150/JIS 5K/10K	46	11	107	90	70x9x4 (F07)	19	126	86	3.1	Red RAL 3011	33983
80	PN 16	PN 10/16/25/ANSI 150/JIS 5K/10K	46	11	126	90	70x9x4 (F07)	19	133	88	3.6	Red RAL 3011	33984
100	PN 16	PN 6/10/16/25/ANSI 150/JIS 5K/10K	52	11	151	90	70x9x4 (F07)	19	147	106	4.8	Red RAL 3011	33985
125	PN 16	PN 6/10/16/25/ANSI 150/JIS 5K/10K	56	14	183	90	70x9x4 (F07)	19	160	118	7.2	Red RAL 3011	33986
150	PN 16	PN 10/16/25/ANSI 150/JIS 5K/10K	56	14	210	90	70x9x4 (F07)	19	180	140	9.0	Red RAL 3011	33987
200	PN 16	PN 6/10/16/25/ANSI 150/JIS 5K/10K	60	17	266	90	70x9x4 (F07)	25	204	167	14.0	Red RAL 3011	34376
250	PN 16	PN 10/16/25/ANSI 150/JIS 5K/10K	68	22	318	125	102x12x4 (F10)	30	245	202	22.0	Red RAL 3011	33989
300	PN 10	PN 6/10/16/25/ANSI 150/JIS 5K/10K	78	22	373	125	102x12x4 (F10)	30	270	240	31.0	Red RAL 3011	33990

All measurements in mm. Weights are approximations.



Bare stem

DN	Pressure rating	Connection	L	#E	D	D2	D3xØxN	#H	H	H1	Weight (kg)	Color	Item no.
350	PN 10	PN 10/16/ANSI 150	78	27	437	150	125x14x4 (F12)	30	315	288	43.0	Red RAL 3011	34386
400	PN 10	PN 10/16/ANSI 150	102	27	492	150	125x14x4 (F12)	30	350	305	70.0	Red RAL 3011	34387
450	PN 10	PN 10/16/JIS 10K	114	36	540	175	140x18x4 (F14)	38	375	335	110.0	Red RAL 3011	35005
500	PN 10	PN 10/16/JIS 10K/ANSI 150	127	36	595	175	140x18x4 (F14)	38	415	379	138.0	Red RAL 3011	35006
600	PN 10	PN 10/16/ANSI 150	154	46	697	210	165x22x4 (F16)	48	465	431	190.0	Red RAL 3011	34390

All measurements in mm. Weights are approximations.