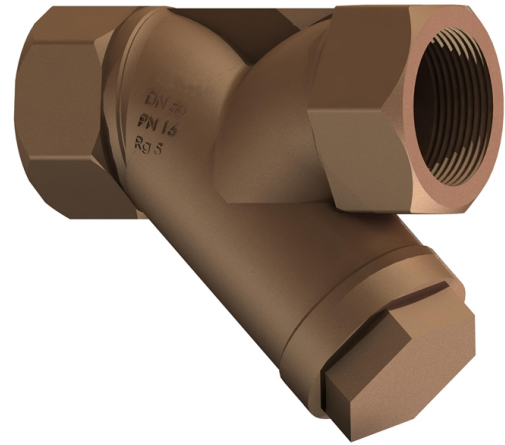


Description

Strainers are used in systems which needs to be protected against debris during pipe installation or regular operation. Y-strainer. It is possible to get the strainer basket with different mesh size.

Specifications

Bonnet connection:	Screwed
Execution:	Straight
Connection type:	Threaded female
Perforation:	1 mm



Media

Fuel oil, lubricating oil and flammable hydraulic oil. Cargo oil. Air. Gas.
Non-flammable hydraulic fluid. Boiler feedwater, condensate.
Seawater and freshwater.

Variants

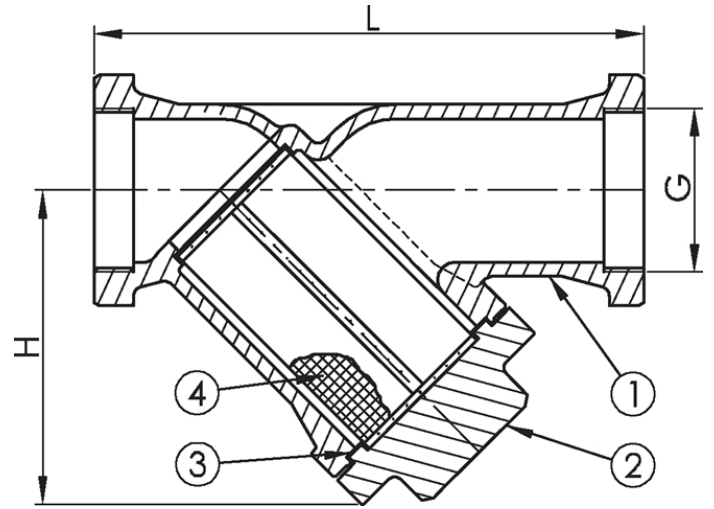
Other mesh sizes on request.

Material

No.	Part	Material
1	Body	Bronze CC491K (RG5)
2	Threaded cap	Brass CW614N (Ms58)
3	Gasket	NBR bonded aramid
4	Strainer	Stainless steel 1.4301 (AISI304)

Max. working pressure (bar) at °C

DN	120°C
15 - 50	16



Items

DN	Item no.	Pressure rating	L	G (BSP)	H	Weight (kg)	Color
15	40772	PN 16	60	G 1/2"	35	0.2	Unpainted
20	40773	PN 16	68	G 3/4"	42	0.3	Unpainted
25	40774	PN 16	76	G 1"	55	0.7	Unpainted
32	40775	PN 16	90	G 1 1/4"	63	1.5	Unpainted
40	40776	PN 16	105	G 1 1/2"	77	1.5	Unpainted
50	40777	PN 16	125	G 2"	91	4.0	Unpainted

All measurements in mm. Weights are approximations.

