

Description

Mudboxes are used in systems which needs to be protected against debris during pipe installation or regular operation. It is possible to get the strainer basket with different mesh size. Straight with PN 10 drilled flange ends. DN 200-300 with support feet. DN 350 available with other face to face dimensions.

This product is being phased-out and are successively replaced by 482851.

Specifications

Flange standard:	ISO 7005-2
Face to face standard:	DIN 87151-1
Bonnet connection:	Bolted
Execution:	Straight
Connection type:	Flanged
Perforation:	DN 40-65 5 x 5 mm, DN 80-600 8 x 8 mm

Media

Fuel oil, lubricating oil and flammable hydraulic oil. Cargo oil. Seawater and freshwater.

Variants

Other materials and mesh sizes on request.

Material

No.	Part	Dimension	Material
1	Body		Cast iron EN-JL1040 (GG25)
2	Strainer	DN 40-300	Stainless steel 1.4432 (AISI316L)
2	Strainer	DN 350-600	Stainless steel 1.4401 (AISI316)
3	Pin	DN 40-300	Stainless steel 1.4432 (AISI316L)
3	Pin	DN 350-600	Stainless steel 1.4401 (AISI316)
4	O-ring		NBR
5	Bonnet		Cast iron EN-JL1040 (GG25)
6	Flange nut		8.8 FZB
7	Stud bolt		8.8 FZB



Mudbox without support feet



Mudbox DN 200-300 with support feet

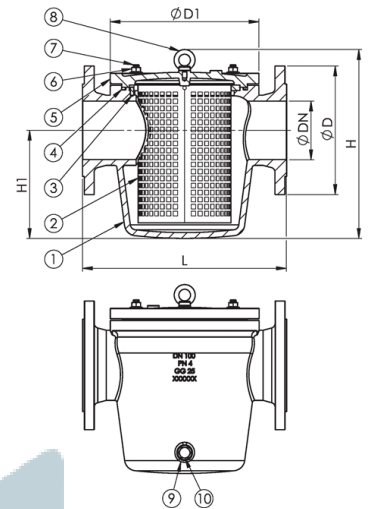
Mudbox DN 200-300 with support feet

Material

No.	Part	Dimension	Material
8	Lifting eyebolt		8.8 FZB
9	Washer	DN 80-600	Copper
10	Plug	DN 80-600	Brass CW614N (Ms58)

Max. working pressure (bar) at °C

DN	Connection	up to 80°C
40 - 150	PN 10	4

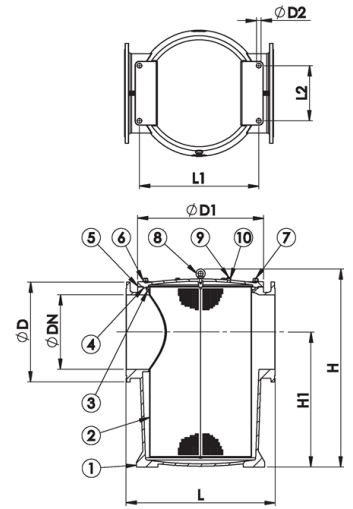


Mudbox without support feet

Mudbox without support feet

DN	Item no.	Pressure rating	Connection	L	D	D1	H	H1	Height for lifting strainer basket	Kv	Weight (kg)	Color
40	60517	PN 4	PN 10	200	150	130	191	95	255	42	9.1	Green RAL 6002
125	60522	PN 4	PN 10	400	250	293	394	229	683	360	51.0	Green RAL 6002
150	60523	PN 4	PN 10	480	285	340	447	268	712	520	68.0	Green RAL 6002

All measurements in mm. Weights are approximations.



Mudbox DN 200-300 with support feet

