

Description For filling and sounding.

Specifications Execution: Straight

Application

For vertical installation.

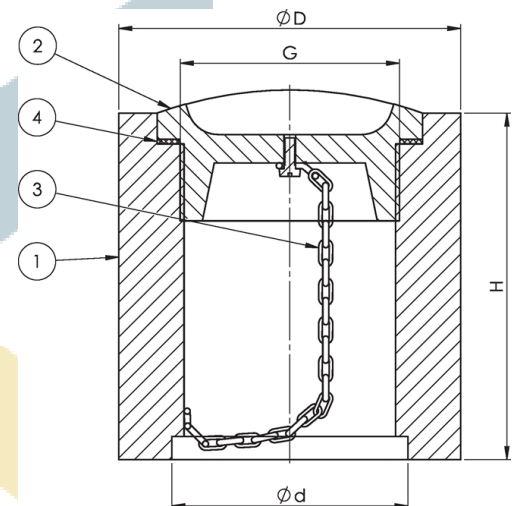
Media

Thermal oil. Fuel oil, lubricating oil and flammable hydraulic oil. Cargo oil. Non-flammable hydraulic fluid. Boiler feedwater, condensate. Seawater and freshwater.



Material

No.	Part	Material
1	Body	Steel 1.0037 (St37)
2	Plug screw	Bronze CC491K (RG5)
3	Chain	Zinc plated steel
4	Gasket ring	NBR





Items

DN	Item no.	G	D	d	H	Weight (kg)
32	81873	1 1/4"	70	43.4	90	2.0
40	80858	1 1/2"	76.1	49.3	90	2.2
50	81102	2"	88.9	61.4	90	2.9
65	81368	2 1/2"	108	77.4	90	3.9
80	81874	3"	127	90.3	90	5.4
100	40281	4"	152.4	115.5	90	7.5

All measurements in mm. Weights are approximations.

