

Description

Diaphragm valve is often used for freshwater, seawater and compressed air applications. Multiturn operation. Round handwheel only for G 2", G 1" delivered with grab handle. Female threaded connections.

Specifications

Bonnet connection:	Bolted
Execution:	Straight
Connection type:	Threaded female
Operation:	Handwheel
Actuation:	Multiturn



Media

Corrosive fluids. Fuel oil, lubricating oil and flammable hydraulic oil. Cargo oil. Air. Gas. Non-flammable hydraulic fluid. Seawater and freshwater.

Variants

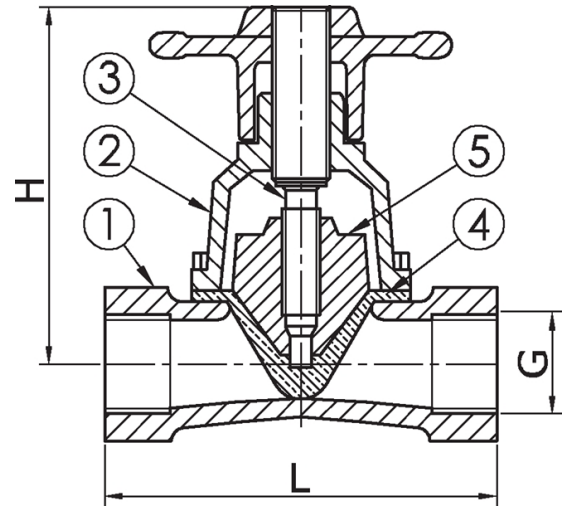
Other materials, coatings and linings on request.

Material

No.	Part	Material
1	Body	Cast iron EN-JL1040 (GG25)
2	Bonnet	Cast iron EN-JL1040 (GG25)
3	Stem	Stainless steel 1.4301 (AISI304)
4	Diaphragm	NBR
5	Disc	Cast iron EN-JL1040 (GG25)

Max. working pressure (bar) at °C

DN	-10°C to +50°C
25 - 50	16



Items

DN	Item no.	Pressure rating	L	G (BSP)	H	Weight (kg)
25	41545	PN 16	108	G 1"	150	1.5
50	41546	PN 16	168	G 2"	194	5.1

All measurements in mm. Weights are approximations.

