

Description

Diaphragm valve is often used for freshwater, seawater and compressed air applications. Multiturn operation. Round handwheel for G 2 1/2" and larger sizes, smaller sizes delivered with grab handle. Female threaded connections.

Specifications

Bonnet connection:	Bolted
Execution:	Weir
Connection type:	Threaded female
Operation:	Handwheel
Actuation:	Multiturn



Media

Corrosive fluids. Fuel oil, lubricating oil and flammable hydraulic oil. Cargo oil. Air. Gas. Non-flammable hydraulic fluid. Boiler feedwater, condensate. Seawater and freshwater.

Variants

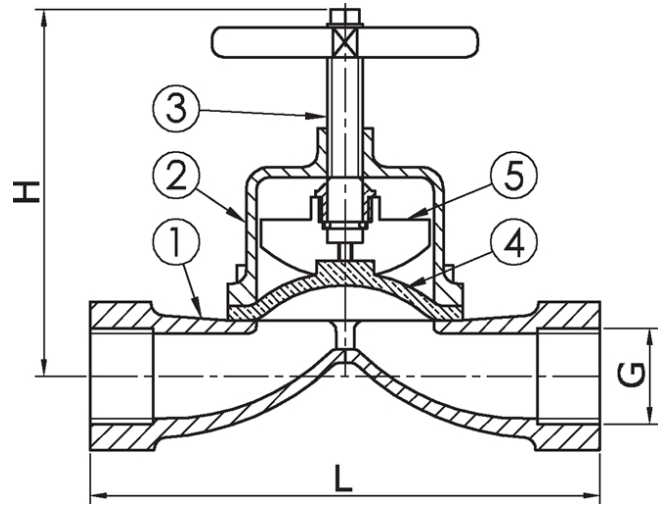
Other materials, coatings and linings on request.

Material

No.	Part	Material
1	Body	Cast iron EN-JL1040 (GG25)
2	Bonnet	Cast iron EN-JL1040 (GG25)
3	Stem	Stainless steel 1.4301 (AISI304)
4	Diaphragm	NBR
5	Disc	Cast iron EN-JL1040 (GG25)

Max. working pressure (bar) at °C

DN	-10°C to +50°C
8 - 50	16
65 - 80	10



Items

DN	Item no.	Pressure rating	L	G (BSP)	H	Weight (kg)
8	90815	PN 16	50	G 1/4"	72	0.2
15	90195	PN 16	66	G 1/2"	98	0.8
20	90196	PN 16	86	G 3/4"	110	1.2
25	90197	PN 16	108	G 1"	123	2.0
32	90198	PN 16	122	G 1 1/4"	149	3.1
40	90199	PN 16	142	G 1 1/2"	166	4.0
50	90200	PN 16	167	G 2"	188	6.0
65	41045	PN 16	225	G 2 1/2"	224	9.8
80	41044	PN 16	276	G 3"	256	17.0

All measurements in mm. Weights are approximations.

