

Description

Globe valve with shut off, regulating or screw down non return (SDNR) function. Angled, rising stem valve with bolted bonnet and metal sealing. For warm sea water it is recommended to use a stem of zinc free bronze, CuSn6.

Specifications

Flange standard:	EN 1092-3
Face to face standard:	EN 558, series 8
Bonnet connection:	Bolted
Execution:	Angled
Connection type:	Flanged
Operation:	Handwheel
Actuation:	Multiturn



Application

For temperatures up to 225°C, steam up to 180°C.

Media

Steam. Fuel oil, lubricating oil and flammable hydraulic oil. Cargo oil. Boiler feedwater, condensate. Seawater and freshwater.

Variants

Regulating disc. CuSn6 stem. Other materials on request.

Options

Spring for SDNR. With indicator.

Material

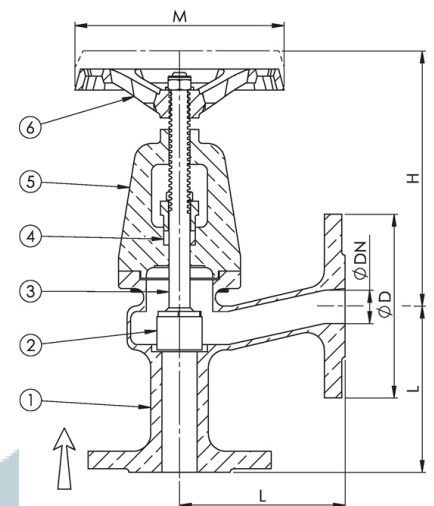
No.	Part	Dimension	Material
1	Body		Bronze CC491K (RG5)
2	Disc	DN 15-32	Special brass CW710R (SoMs59)
2	Disc	DN 40-500	Bronze CC491K (RG5)
3	Stem		Special brass CW710R (SoMs59)
4	Gasket		Rubber/PTFE fiber composite
5	Bonnet		Bronze CC491K (RG5)

Material

No.	Part	Dimension	Material
6	Handwheel		Cast iron EN-JL1040 (GG25)

Max. working pressure (bar) at °C

DN	Connection	up to 120°C	up to 225°C (steam up to 180°C)
15 - 125	PN 16	16	10
150 - 200	PN 10	10	6
250 - 300	PN 10	6	4
350 - 500	PN 10	4	2



Stop valve

DN	Item no.	Pressure rating	Connection	L	D	H	M	Weight (kg)	Color
15	41132	PN 16	PN 16	90	95	160	100	3.8	Unpainted
20	80025	PN 16	PN 16	95	105	170	100	4.0	Unpainted
25	91553	PN 16	PN 16	100	115	170	100	5.0	Unpainted
32	81670	PN 16	PN 16	105	140	190	125	7.0	Unpainted
40	91228	PN 16	PN 16	115	150	210	160	9.0	Unpainted
50	81018	PN 16	PN 16	125	165	220	160	11.0	Unpainted
65	91510	PN 16	PN 16	145	185	260	200	16.0	Unpainted
80	90606	PN 16	PN 16	155	200	280	200	20.0	Unpainted

All measurements in mm. Weights are approximations.

Stop valve

DN	Item no.	Pressure rating	Connection	L	D	H	M	Weight (kg)	Color
100	82045	PN 16	PN 16	175	220	300	250	25.0	Unpainted
125	81925	PN 16	PN 16	200	250	340	250	40.0	Unpainted
150	41133	PN 10	PN 10	225	285	360	315	50.0	Unpainted
200	41134	PN 10	PN 10	275	340	440	400	95.0	Unpainted
250	41135	PN 6	PN 10	325	395	550	400	155.0	Unpainted
300	41136	PN 6	PN 10	375	445	620	400	225.0	Unpainted
350	41137	PN 4	PN 10	425	505	720	500	360.0	Unpainted
400	41138	PN 4	PN 10	475	565	750	500	400.0	Unpainted
450	41139	PN 4	PN 10	500	615	925	500	650.0	Unpainted
500	41140	PN 4	PN 10	575	670	950	500	800.0	Unpainted

All measurements in mm. Weights are approximations.

SDNR disc

DN	Item no.	Pressure rating	Connection	L	D	H	M	Weight (kg)	Color
15	81557	PN 16	PN 16	90	95	160	100	3.8	Unpainted
20	81410	PN 16	PN 16	95	105	170	100	4.0	Unpainted
25	81037	PN 16	PN 16	100	115	170	100	5.0	Unpainted
32	41141	PN 16	PN 16	105	140	190	125	7.0	Unpainted
40	90490	PN 16	PN 16	115	150	210	160	9.0	Unpainted
50	81343	PN 16	PN 16	125	165	220	160	11.0	Unpainted
65	41142	PN 16	PN 16	145	185	260	200	16.0	Unpainted
80	92136	PN 16	PN 16	155	200	280	200	20.0	Unpainted
100	80026	PN 16	PN 16	175	220	300	250	25.0	Unpainted
125	92517	PN 16	PN 16	200	250	340	250	40.0	Unpainted
150	92444	PN 10	PN 10	225	285	360	315	50.0	Unpainted
200	41143	PN 10	PN 10	275	340	440	400	95.0	Unpainted
250	41144	PN 6	PN 10	325	395	550	400	155.0	Unpainted

All measurements in mm. Weights are approximations.



SDNR disc

DN	Item no.	Pressure rating	Connection	L	D	H	M	Weight (kg)	Color
300	41145	PN 6	PN 10	375	445	620	400	225.0	Unpainted
350	41146	PN 4	PN 10	425	505	720	500	360.0	Unpainted
400	41147	PN 4	PN 10	475	565	750	500	400.0	Unpainted
450	41148	PN 4	PN 10	500	615	925	500	650.0	Unpainted
500	41149	PN 4	PN 10	575	670	950	500	800.0	Unpainted

All measurements in mm. Weights are approximations.

