

Description

Globe valve with shut off or screw down non return (SDNR) function.
A compact, straight, rising stem valve with metal sealing.

Specifications

Flange standard:	EN 1092-3
Bonnet connection:	Bolted
Execution:	Straight
Connection type:	Flanged
Operation:	Handwheel
Actuation:	Multiturn



Application

For temperatures up to 200°C, steam up to 180°C.

Media

Steam. Fuel oil, lubricating oil and flammable hydraulic oil. Cargo oil.
Gas. Non-flammable hydraulic fluid. Boiler feedwater, condensate.
Seawater and freshwater.

Variants

Regulating disc. Other materials on request.

Options

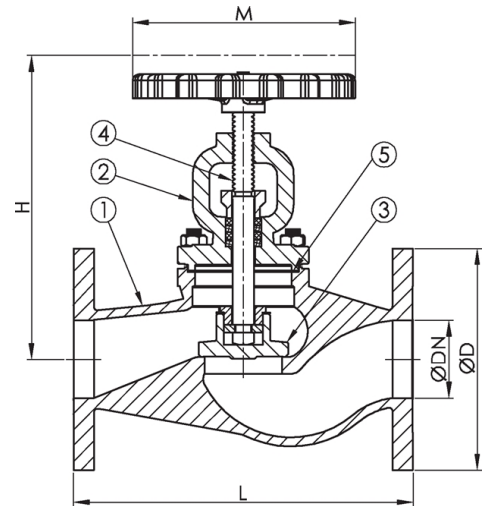
Spring for SDNR. With indicator.

Material

No.	Part	Dimension	Material
1	Body		Bronze CC491K (RG5)
2	Bonnet		Bronze CC491K (RG5)
3	Disc	DN 15-50	Bronze CC493K (RG7)
3	Disc	DN 65-200	Bronze CC491K (RG5)
4	Stem		Special brass CW710R (SoMs59)
5	Sealing		NBR bonded aramid

Max. working pressure (bar) at °C

DN	Connection	up to 120°C	up to 200°C (steam up to 180°C)
15 - 150	PN 16	16	13
200	PN 10	10	8



Stop valve

DN	Item no.	Pressure rating	Connection	L	D	H	M	Kv	Weight (kg)	Color
15	40269	PN 16	PN 16	120	95	166	100	5	4.3	Unpainted
20	40270	PN 16	PN 16	120	105	178	100	8	5.0	Unpainted
25	40271	PN 16	PN 16	140	115	200	100	12	6.0	Unpainted
32	40272	PN 16	PN 16	150	140	215	120	19	8.7	Unpainted
40	40273	PN 16	PN 16	155	150	235	160	31	10.0	Unpainted
50	40274	PN 16	PN 16	180	165	250	160	43	13.0	Unpainted
65	40275	PN 16	PN 16	200	185	300	160	72	23.0	Unpainted
80	40276	PN 16	PN 16	240	200	305	200	107	32.0	Unpainted
100	40277	PN 16	PN 16	270	220	335	250	156	43.0	Unpainted
125	40278	PN 16	PN 16	320	250	390	250	280	62.0	Unpainted
150	40279	PN 16	PN 16	370	285	435	315	389	88.0	Unpainted
200	40280	PN 10	PN 10	500	340	620	315	667	136.0	Unpainted

All measurements in mm. Weights are approximations.



SDNR disc

DN	Item no.	Pressure rating	Connection	L	D	H	M	Kv	Weight (kg)	Color
15	41703	PN 16	PN 16	120	95	166	100	5	4.3	Unpainted
20	41704	PN 16	PN 16	120	105	178	100	8	5.0	Unpainted
25	41705	PN 16	PN 16	140	115	200	100	12	6.0	Unpainted
32	92755	PN 16	PN 16	150	140	215	120	19	8.7	Unpainted
40	41706	PN 16	PN 16	155	150	235	160	31	10.0	Unpainted
50	41707	PN 16	PN 16	180	165	250	160	43	13.0	Unpainted
65	41708	PN 16	PN 16	200	185	300	160	72	23.0	Unpainted
80	41709	PN 16	PN 16	240	200	305	200	107	32.0	Unpainted
100	41710	PN 16	PN 16	270	220	335	250	156	43.0	Unpainted
125	41711	PN 16	PN 16	320	250	390	250	280	62.0	Unpainted
150	41712	PN 16	PN 16	370	285	435	315	389	88.0	Unpainted
200	41713	PN 10	PN 10	500	340	620	315	667	136.0	Unpainted

All measurements in mm. Weights are approximations.

