

Description

Globe valve with shut off or screw down non return (SDNR) function. Angled, rising stem type with female threaded ends, screwed and secured bonnet as well as metal sealing. For warm sea water it is recommended to use a stem of zinc free bronze, CuSn6.

Specifications

Bonnet connection:	Screwed, Secured
Execution:	Angled
Connection type:	Threaded female
Operation:	Handwheel
Actuation:	Multiturn



Application

For temperatures up to 225 °C, steam up to 180 °C.

Media

Steam. Fuel oil, lubricating oil and flammable hydraulic oil. Cargo oil. Non-flammable hydraulic fluid. Boiler feedwater, condensate. Seawater and freshwater.

Variants

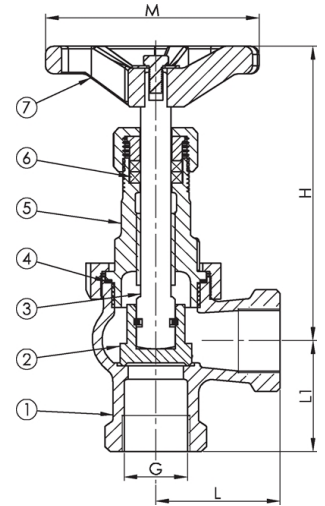
CuSn6 stem.

Material

No.	Part	Dimension	Material
1	Body		Bronze CC491K (RG5)
2	Disc	DN 8-50	Bronze CC493K (RG7)
2	Disc	DN 65-80	Bronze CC491K (RG5)
3	Stem		Special brass CW710R (SoMs59)
4	Gasket		PTFE
5	Bonnet	DN 8-32	Bronze CC493K (RG7)
5	Bonnet	DN 40-80	Bronze CC491K (RG5)
6	Gland		Brass CW614N (Ms58)
7	Handwheel		Cast iron EN-JL1040 (GG25)

Max. working pressure (bar) at °C

DN	up to 120°C	up to 225°C (steam up to 180°C)
8 - 80	16	10



Stop valve

DN	Item no.	Pressure rating	L	G (BSP)	L1	H	M	Kv	Weight (kg)	Color
8	41106	PN 16	35	G 1/4"	30	86	60	2	0.4	Unpainted
10	81440	PN 16	35	G 3/8"	30	86	60	5	0.5	Unpainted
15	80957	PN 16	40	G 1/2"	35	86	60	9	0.5	Unpainted
20	81540	PN 16	45	G 3/4"	40	100	80	14	0.7	Unpainted
25	90541	PN 16	50	G 1"	45	105	80	23	1.1	Unpainted
32	90822	PN 16	55	G 1 1/4"	50	120	90	37	1.6	Unpainted
40	80312	PN 16	65	G 1 1/2"	55	135	100	59	2.0	Unpainted
50	80980	PN 16	75	G 2"	65	150	120	93	3.5	Unpainted
65	81012	PN 16	90	G 2 1/2"	75	230	160	141	7.6	Unpainted
80	41107	PN 16	110	G 3"	90	250	200	-	12.0	Unpainted

All measurements in mm. Weights are approximations.

SDNR disc with spring

DN	Item no.	Pressure rating	L	G (BSP)	L1	H	M	Kv	Weight (kg)	Color
8	41108	PN 16	35	G 1/4"	30	86	60	2	0.4	Unpainted
10	41737	PN 16	35	G 3/8"	30	86	60	5	0.7	Unpainted
15	90499	PN 16	40	G 1/2"	35	86	60	9	0.5	Unpainted
20	81432	PN 16	45	G 3/4"	40	100	80	14	0.7	Unpainted

All measurements in mm. Weights are approximations.

SDNR disc with spring

DN	Item no.	Pressure rating	L	G (BSP)	L1	H	M	Kv	Weight (kg)	Color
25	82081	PN 16	50	G 1"	45	105	80	23	1.1	Unpainted
32	80311	PN 16	55	G 1 1/4"	50	120	90	37	1.6	Unpainted
40	80313	PN 16	65	G 1 1/2"	55	135	100	59	2.0	Unpainted
50	87084	PN 16	75	G 2"	65	150	120	93	3.5	Unpainted
65	92638	PN 16	90	G 2 1/2"	75	230	160	141	7.6	Unpainted
80	41109	PN 16	110	G 3"	90	250	200	-	12.0	Unpainted

All measurements in mm. Weights are approximations.

