

## Description

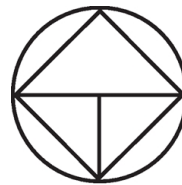
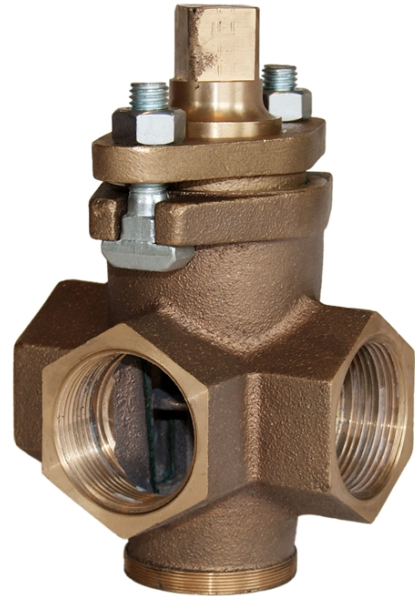
Three way gland cock with female screwed ends. With T- or L-port.

## Specifications

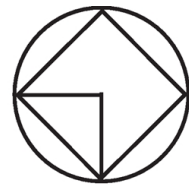
Execution:	Three way
Connection type:	Threaded female
Operation:	Lever

## Media

Fuel oil, lubricating oil and flammable hydraulic oil. Cargo oil. Air. Gas.  
 Non-flammable hydraulic fluid. Boiler feedwater, condensate.  
 Seawater and freshwater.



T-plug



L-plug

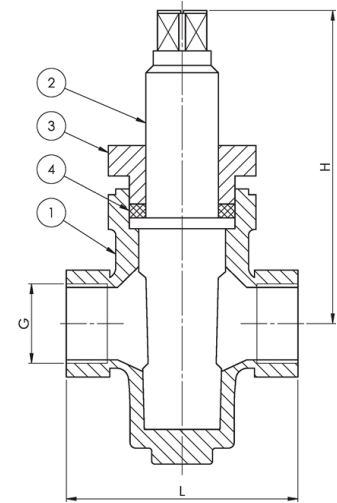
*T- and L-port technical description*

## Material

No.	Part	Material
1	Body	Bronze CC491K (RG5)
2	Plug	Bronze CC491K (RG5)
3	Gland	Bronze CC491K (RG5)
4	Sealing	Cotton

## Max. working pressure (bar) at °C

DN	up to 120°C
10 - 80	10



Three way gland cock measurement drawing

### T-port

DN	Item no.	Pressure rating	L	G (BSP)	H	Weight (kg)	Type
10	41098	PN 10	45	G 3/8"	60	0.3	T-port
15	81464	PN 10	55	G 1/2"	68	0.6	T-port
20	90737	PN 10	65	G 3/4"	77	0.8	T-port
25	81537	PN 10	80	G 1"	90	1.4	T-port
32	81567	PN 10	90	G 1 1/4"	100	2.2	T-port
40	81038	PN 10	110	G 1 1/2"	120	3.6	T-port
50	41099	PN 10	135	G 2"	138	5.1	T-port
65	41100	PN 10	150	G 2 1/2"	150	8.5	T-port
80	41101	PN 10	175	G 3"	175	13.0	T-port

All measurements in mm. Weights are approximations.

### L-port

DN	Item no.	Pressure rating	L	G (BSP)	H	Weight (kg)	Type
10	91272	PN 10	45	G 3/8"	60	0.3	L-port
15	91300	PN 10	55	G 1/2"	68	0.6	L-port
20	80975	PN 10	65	G 3/4"	77	0.8	L-port
25	81023	PN 10	80	G 1"	90	1.4	L-port
32	81417	PN 10	90	G 1 1/4"	100	2.2	L-port

All measurements in mm. Weights are approximations.



## L-port

DN	Item no.	Pressure rating	L	G (BSP)	H	Weight (kg)	Type
40	89519	PN 10	110	G 1 1/2"	120	3.6	L-port
50	80011	PN 10	135	G 2"	138	5.1	L-port
65	81890	PN 10	150	G 2 1/2"	150	8.5	L-port
80	94231	PN 10	175	G 3"	175	13.0	L-port

*All measurements in mm. Weights are approximations.*

