

## Description

Gate valve used as shut off in liquid and steam applications. Multiturn operation. Non-rising stem.

## Specifications

Flange standard:	EN 1092-3
Bonnet connection:	Screwed, Secured
Execution:	Straight
Connection type:	Flanged
Operation:	Handwheel
Actuation:	Multiturn



## Media

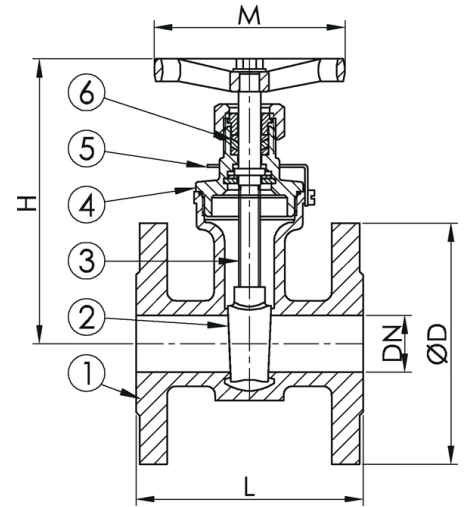
Steam. Thermal oil. Fuel oil, lubricating oil and flammable hydraulic oil.  
Cargo oil. Seawater and freshwater.

## Material

No.	Part	Material
1	Body	Bronze CC491K (RG5)
2	Wedge	Bronze CC491K (RG5)
3	Stem	Special brass CW710R (SoMs59)
4	Bonnet	Bronze CC491K (RG5)
5	Securing plate	Galvanized steel
6	Bonnet sealing	Rubber/PTFE fiber composite

## Max. working pressure (bar) at °C

DN	Connection	up to 120°C	150°C	up to 225°C (steam up to 180°C)
15 - 100	PN 16	16	10	6



### Items

DN	Item no.	Pressure rating	Connection	L	D	H	M	Weight (kg)	Color
15	90270	PN 16	PN 16	80	95	85	60	1.4	Unpainted
20	90271	PN 16	PN 16	75	105	100	60	1.8	Unpainted
25	90272	PN 16	PN 16	80	115	115	80	2.3	Unpainted
32	90273	PN 16	PN 16	90	140	130	80	3.6	Unpainted
40	90274	PN 16	PN 16	100	150	150	80	4.6	Unpainted
50	90275	PN 16	PN 16	110	165	180	100	6.4	Unpainted
65	90276	PN 16	PN 16	130	185	215	140	9.4	Unpainted
80	90277	PN 16	PN 16	150	200	250	160	12.0	Unpainted
100	90278	PN 16	PN 16	160	220	315	160	22.0	Unpainted

All measurements in mm. Weights are approximations.

