

Description

Storz coupling used to connect a fire hose to a fire valve or a landing valve. Adaptor with female thread. German standard.

Specifications

Connection type: Threaded female



Application

For fire fighting systems.

Media

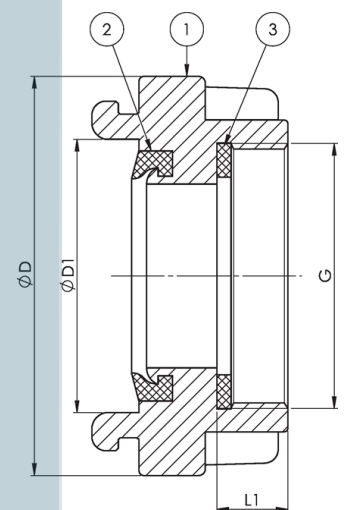
Seawater and freshwater.

Variants

Brass.

Material

No.	Part	Material
1	Coupling	Bronze CC491K (RG5)
2	Sealing	NBR
3	Sealing	NBR



Storz coupling measurement drawing



Items

Item no.	G	D	D1	L1	Weight (kg)	Type
41422	G 1"	55	31	17	0.2	D-25
41423	G 1"	98	66	17	0.7	C-52
90448	G 1 1/4"	98	66	17	0.7	C-52
81941	G 1 1/2"	98	66	19	0.7	C-52
81101	G 2"	98	66	19	0.6	C-52
41424	G 2 1/2"	98	66	21	0.8	C-52
41425	G 2"	118	81	19	1.0	65
41426	G 2 1/2"	118	81	21	1.0	65
81477	G 2 1/2"	126	89	21	1.1	B-75
41427	G 4"	155	115	23	1.8	100
41428	G 4"	182	133	23	3.2	A-110

All measurements in mm. Weights are approximations.

