

Description

Swing check valve with metal sealing, female screwed ends and screwed cover.

Specifications

Bonnet connection:	Screwed
Execution:	Straight
Connection type:	Threaded female



Application

Also for installation in vertical pipelines. Upwards flow only.

Media

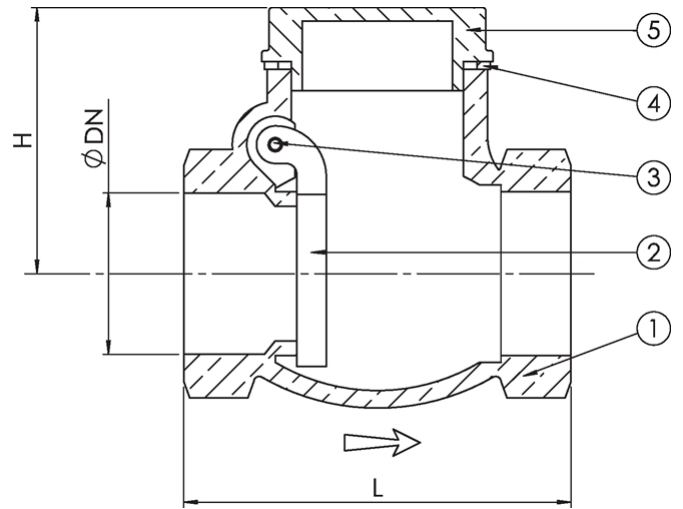
Fuel oil, lubricating oil and flammable hydraulic oil. Cargo oil. Boiler feedwater, condensate. Seawater and freshwater.

Material

No.	Part	Dimension	Material
1	Body		Bronze CC491K (RG5)
2	Disc		Brass CW617N (Ms58)
3	Shaft		Brass CW614N (Ms58)
4	Gasket	DN 10-25	NBR
4	Gasket	DN 32-100	PTFE
5	Cap	DN 10-15	Brass CW614N (Ms58)
5	Cap	DN 20-100	Brass CW617N (Ms58)

Max. working pressure (bar) at °C

DN	up to 95°C
10 - 100	16



Items

DN	Item no.	Pressure rating	Connection (BSP)	L	H	Weight (kg)	Color
10	41046	PN 16	G 3/8"	49	31	0.2	Unpainted
15	91165	PN 16	G 1/2"	55	36	0.2	Unpainted
20	80516	PN 16	G 3/4"	62	43	0.3	Unpainted
25	80517	PN 16	G 1"	72	49	0.5	Unpainted
32	80518	PN 16	G 1 1/4"	82	57	0.7	Unpainted
40	80519	PN 16	G 1 1/2"	90	63	0.8	Unpainted
50	80520	PN 16	G 2"	105	69	1.3	Unpainted
65	81707	PN 16	G 2 1/2"	125	82	2.0	Unpainted
80	90323	PN 16	G 3"	144	91	3.0	Unpainted
100	41047	PN 16	G 4"	176	123	5.0	Unpainted

All measurements in mm. Weights are approximations.