



Storm Valve

Angle Type, Flanged Ends

159121
PN4

Description: Angle type, bronze body, rubber faced disc. With manual closing device for high seas / dry docking, flat faced flanged

Application: Used in shipside applications on the sanitary piping system discharge. Prevents sea water from entering the piping system

Standard & Design:

Flange Standard: EN 1092-3
 Face To Face Standard: DIN HNA Sr6 Form B
 Bonnet Bolted
 Execution Angled
 Flanges Drilled: PN10

Variations: With open/close indication

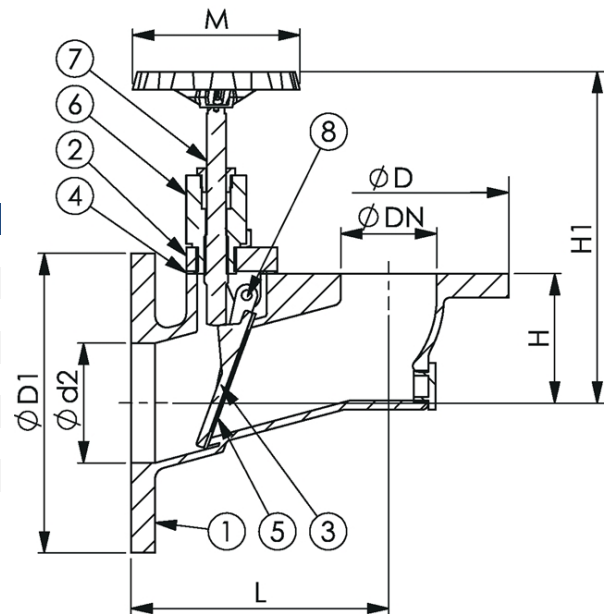
Max. Working Pressure (bar) at °C:

DN	-10°C to + 60°C
50 - 150	4



Material:

No	Part	Material	Code
1	Body	Bronze	CC491K (RG5)
2	Bonnet	Bronze	CC491K (RG5)
3	Disc	Bronze	CC491K (RG5)
4	Gasket	NBR	-
5	Sealing	NBR	-
6	Stem Nut	Brass	CW614N (Ms58)
7	Stem	Brass	CW614N (Ms58)
8	Pin	Stainless Steel	1..4401 (AISI316)



DN	Pressure Rating	Connection	L	D	D1	d2	H	H1	M	Kg
50	PN4	PN10	180	165	200	68	90	260	140	15.0
65	PN4	PN10	200	185	220	85	100	270	140	21.0
80	PN4	PN10	215	200	250	100	108	290	140	27.0
100	PN4	PN10	250	220	285	130	130	305	140	37.0
125	PN4	PN10	290	250	315	158	152	330	160	50.0
150	PN4	PN10	330	285	340	190	176	350	160	70.0

All measurements in mm. Weights are approximations