



# Storm Valve

## Angle Type, Flanged Ends

159101  
PN4

**Description:** Angle type, ductile iron body, rubber faced disc. With manual closing device for high seas / dry docking, flat faced flanged

**Application:** Used in shipside applications on the sanitary piping system discharge. Prevents sea water from entering the piping system

**Standard & Design:**

Flange Standard: EN 1092-2  
 Face To Face Standard: DIN HNA Sr6 Form B  
 Bonnet: Bolted  
 Execution: Angled  
 Flanges Drilled: PN10

**Variations:** With open/close indication

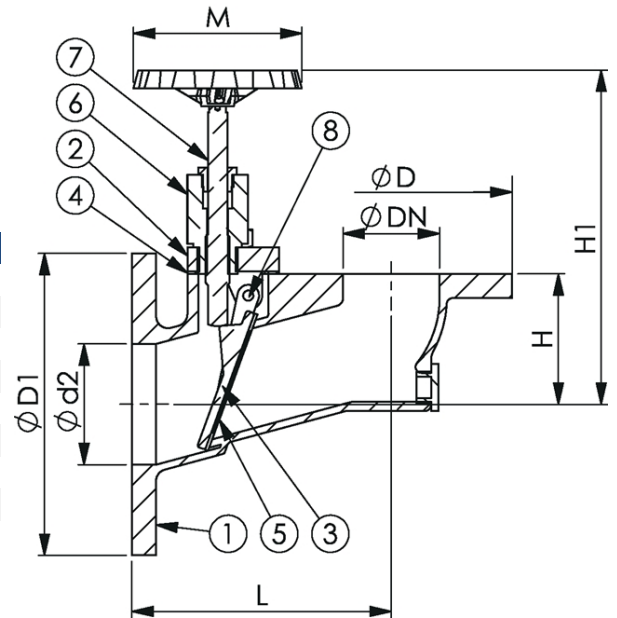


**Max. Working Pressure (bar) at °C:**

DN	-10°C to + 60°C
50 - 150	4

**Material:**

No	Part	Material	Code
1	Body	Ductile Iron	EN-JS1025 (GGG40.3)
2	Bonnet	Ductile Iron	EN-JS1025 (GGG40.3)
3	Disc	Bronze	CC491K (RG5)
4	Gasket	NBR	-
5	Sealing	NBR	-
6	Stem Nut	Brass	CW614N (Ms58)
7	Stem	Brass	CW614N (Ms58)
8	Pin	Stainless Steel	1..4401 (AISI316)



DN	Pressure Rating	Connection	L	D	D1	d2	H	H1	M	Kg
50	PN4	PN10	180	165	200	68	90	260	140	13.0
65	PN4	PN10	200	185	220	85	100	270	140	15.0
80	PN4	PN10	215	200	250	100	108	290	140	21.0
100	PN4	PN10	250	220	285	130	130	305	140	26.0
125	PN4	PN10	290	250	315	158	152	330	160	27.0
150	PN4	PN10	330	285	340	190	176	350	160	45.0

All measurements in mm. Weights are approximations