



# Globe Valve

## Globe Type, Flanged Ends

F-7319/F-7471  
JIS 10K

**Description:** Globe type, cast steel body, metal seated screw down stop valve with rising stem, bolted bonnet, flat faced flanged

**Application:** Start/stop and throttling of; sea water, water, steam and oils, etc

**Standard & Design:**

Design Code: JIS F7319  
 Inspection Standard: JIS F7400  
 Flange Standard: JIS B2220  
 Face To Face Standard: JIS F7426 (F7319)  
 Flanges Drilled: JIS 10K (DN50-DN300)  
 Pressure Rating: JIS 10K (DN50-DN300)

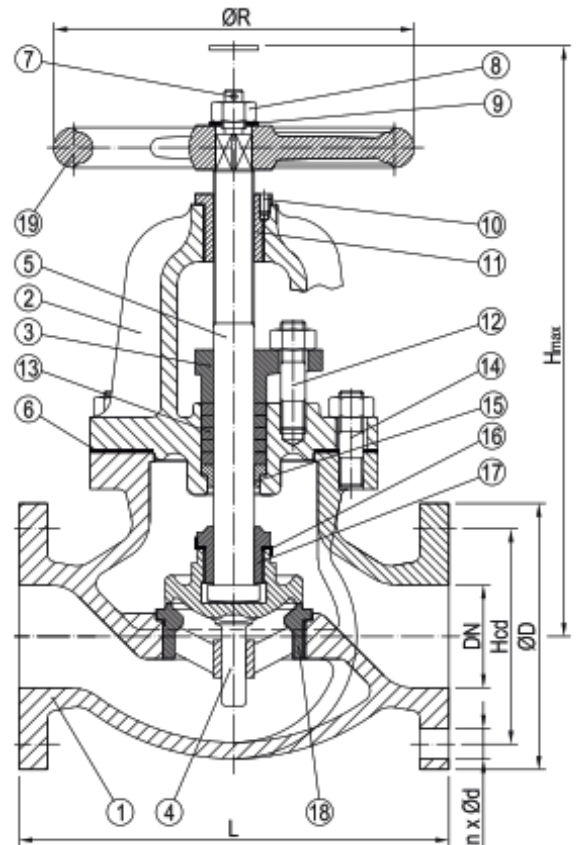
**Variations:**

F-7319=Fixed Disc  
 F-7471=SDNR



**Material:**

No	Part	Material	Code
1	Body	Cast Steel	ZG230-450
2	Bonnet	Cast Steel	ZG230-450
3	Gland	Stainless Steel	2Cr13
4	Disc	Stainless Steel	2Cr13
5	Stem	Stainless Steel	2Cr13
6	Gasket	Graphite	-
7	Split Pin	Carbon Steel	A3
8	Nut	Carbon Steel	Q235A
9	Gasket Ring	Carbon Steel	Q235A
10	Screw	Carbon Steel	Q235A
11	Screwed Bonnet Bush	Brass	H62
12	Double Open End Bolt	Carbon Steel	Q235A
13	Packing	Graphite	-
14	Double Open End Bolt	Carbon Steel	Q235A
15	Packing Seat	Brass	H62
16	Check Washer	Brass	H62
17	Disc Nut	Stainless Steel	2Cr13
18	Sealing Nut	Stainless Steel	2Cr13
19	Handwheel	Cast Iron	HT200



DN	n x Ød	Hcd	ØD	L	H (max)	ØR	Kg
50	4x19	120	155	220	270	160	17.9
65	4x19	140	175	270	300	200	26.0
80	8x19	150	185	300	310	200	29.8
100	8x19	175	210	350	355	250	44.7
125	8x23	210	250	420	415	280	70.3
150	8x23	240	280	490	470	315	96.4
200	12x23	290	330	570	565	355	159.0
250	12x25	355	400	740	645	400	257.0
300	16x25	400	445	840	735	450	370.0

All measurements in mm. Weights are approximations