



# Gate Valve

## Flanged Ends

F-7369  
JIS 16K

**Description:** Gate valve, cast iron body, stainless steel trim, bolted bonnet, non-rising stem, open/close indicator flat faced flanged

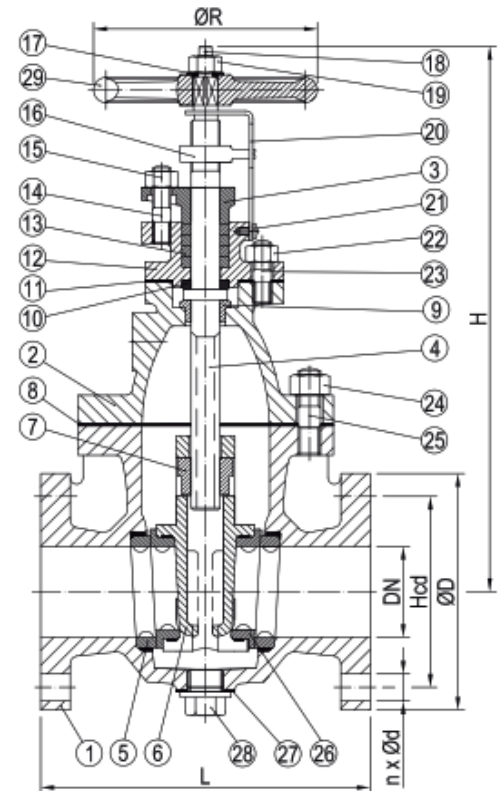
**Application:** Isolating flow with minimised pressure drop for water, sea water, oils, etc

### Standard & Design:

Design Code:	JIS F7369
Inspection Standard:	JIS F7400
Flange Standard:	JIS B2239
Face To Face Standard:	JISF7425 (F7369)
Flanges Drilled:	JIS 16K (DN50-DN200)
Pressure Rating:	JIS 16K (DN50-DN200)

### Material:

No	Part	Material	Code
1	Body	Cast Iron	HT 200
2	Bonnet	Cast Iron	HT 200
3	Gland	Stainless Steel	2Cr13
4	Stem	Stainless Steel	2Cr13
5	Sealing Ring	Stainless Steel	2Cr13
6	Wedge	Cast Iron	HT 200
7	Square Nut	Brass	H62
8	Gasket	Graphite	-
9	Thrust Brush	Brass	H62
10	Thrust Pad	Brass	H62
11	Gasket	Graphite	-
12	Packing Box	Cast Iron	HT 200
13	Packing	Graphite	-
14	Double Open End Bolt	Carbon Steel	Q235A
15	Nut	Carbon Steel	Q235A
16	Staff	Brass	H62
17	Cushion	Carbon Steel	Q235A
18	Split Pin	Carbon Steel	A3
19	Nut	Carbon Steel	Q235A
20	Scale	Brass	H62
21	Screw	Carbon Steel	Q235A
22	Nut	Carbon Steel	Q235A
23	Double Open End Bolt	Carbon Steel	Q235A
24	Nut	Carbon Steel	Q235A
25	Double Open End Bolt	Carbon Steel	Q235A
26	Sealing Ring	Stainless Steel	2Cr13
27	Gasket	Graphite	-
28	Plug	Brass	H62
29	Handwheel	Cast Iron	HT 200



DN	n x Ød	Hcd	ØD	L	H (max)	ØR	Kg
50	8x19	120	155	200	300	140	19.4
65	8x19	140	175	220	350	160	27.6
80	8x23	160	185	230	400	180	33.0
100	8x23	185	210	250	450	200	45.8
125	8x25	225	250	270	520	225	65.7
150	12x25	260	280	290	580	250	86.0
200	12x25	301	330	310	700	315	136.0

All measurements in mm. Weights are approximations