



Gate Valve

Flanged Ends

F-7368
JIS 10K

Description: Gate valve, bronze body, metal seated, rising stem, union bonnet, flat faced flanged

Application: Isolating flow with minimised pressure drop of; sea water, water, and oils, etc

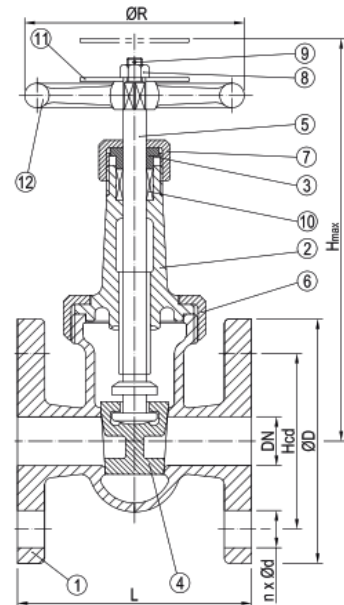
Standard & Design:

Design Code:	JIS F7368
Inspection Standard:	JIS F7400
Flanges Standard:	JIS B2240
Face To Face Standard:	JIS F7427 (F7368)
Flanges Drilled:	JIS 10K (DN15-DN40)
Pressure Rating:	JIS 10K (DN15-DN40)



Material:

No	Part	Material	Code
1	Body	Bronze	BC6
2	Bonnet	Bronze	BC6
3	Gland	Brass	C3771 BE
4	Wedge	Bronze	BC6
5	Stem	Brass	C3771 BE
6	Union Nut	Bronze	BC6
7	Gland Nut	Brass	C3771 BE
8	Hexagonal Nut	Stainless Steel	SUS 304
9	Split Pin	Brass	C2600 W
10	Packing	Graphite	-
11	Name Plate	Aluminium	Al
12	Handwheel	Cast Iron	FC200



DN	n x Ød	Hcd	ØD	L	H (max)	ØR	Kg
15	4x15	70	95	100	175	80	3.0
20	4x15	75	100	110	200	80	3.9
25	4x19	90	125	120	220	100	5.8
32	4x19	100	135	140	250	100	7.5
40	4x19	105	140	150	290	125	9.7

All measurements in mm. Weights are approximations