



Gate Valve

Flanged Ends

F-7366
JIS 10K

Description: Gate valve, cast steel body, stainless steel trim, bolted bonnet, non-rising stem, open/close indicator flat faced flanged

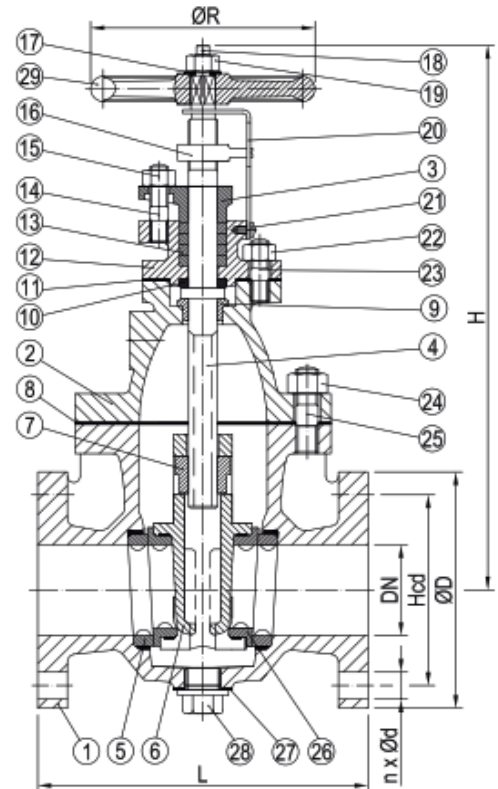
Application: Isolating flow with minimised pressure drop for water, sea water, oils, etc

Standard & Design:

Design Code:	JIS F7366
Inspection Standard:	JIS F7400
Flange Standard:	JIS B2220
Face To Face Standard:	JIS F7426 (F7366)
Flanges Drilled:	JIS 10K (DN50-DN400)
Pressure Rating:	JIS 10K (DN50-DN400)



No	Part	Material	Code
1	Body	Cast Steel	ZG230-450
2	Bonnet	Cast Steel	ZG230-450
3	Gland	Stainless Steel	2Cr13
4	Stem	Stainless Steel	2Cr13
5	Sealing Ring	Stainless Steel	2Cr13
6	Wedge	Cast Steel	ZG230-450
7	Square Nut	Brass	H62
8	Gasket	Graphite	-
9	Thrust Brush	Brass	H62
10	Thrust Pad	Brass	H62
11	Gasket	Graphite	-
12	Packing Box	Cast Steel	ZG230-450
13	Packing	Graphite	-
14	Double Open End Bolt	Carbon Steel	Q235A
15	Nut	Carbon Steel	Q235A
16	Staff	Brass	H62
17	Cushion	Carbon Steel	Q235A
18	Split Pin	Carbon Steel	A3
19	Nut	Carbon Steel	Q235A
20	Scale	Brass	H62
21	Screw	Carbon Steel	Q235A
22	Nut	Carbon Steel	Q235A
23	Double Open End Bolt	Carbon Steel	Q235A
24	Nut	Carbon Steel	Q235A
25	Double Open End Bolt	Carbon Steel	Q235A
26	Sealing Ring	Stainless Steel	2Cr13
27	Gasket	Graphite	-
28	Plug	Brass	H62
29	Handwheel	Cast Iron	HT 200



DN	n x $\varnothing d$	Hcd	$\varnothing D$	L	H (max)	$\varnothing R$	Kg
50	4x19	120	155	200	300	140	17.1
65	4x19	140	175	220	350	160	26.5
80	8x19	150	185	230	400	180	31.5
100	8x19	175	210	250	450	200	44.9
125	8x23	210	250	270	520	225	63.2
150	8x23	240	280	290	580	250	82.3
200	12x23	290	330	310	700	315	130.0
250	12x25	355	400	340	840	400	203.0
300	16x25	400	450	380	960	450	291.0
350	16x25	446	490	420	1050	500	368.0
400	16x27	510	560	480	1150	560	507.0

All measurements in mm. Weights are approximations