



Globe Valve

Angle Type, Flanged Ends

F-7349
JIS 16K

Description: Angle type, bronze body, metal seated screw down stop valve with rising stem, union bonnet, flat faced flanged.

Application: Start/stop and throttling of; sea water, water, and oils, etc.

Standard & Design:

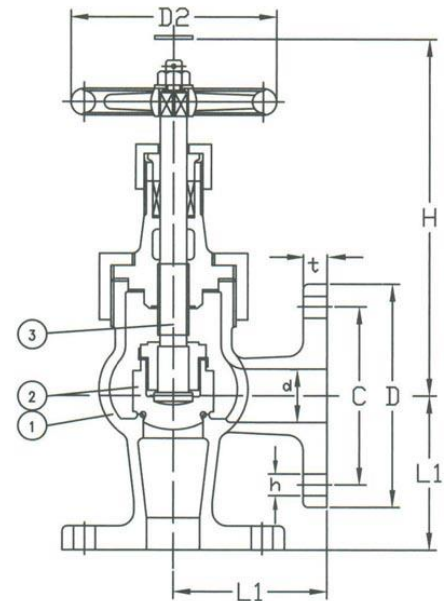
Design Code:	JIS F7349
Inspection Standard:	JIS F7400
Flange Standard:	JIS B2240
Face To Face Standard:	JIS F7427 (F7349)
Flanges Drilled:	JIS 16K (DN15-DN40)
Pressure Rating:	JIS 16K (DN15-DN40)

Variations: F-7349=Fixed Disc



Material:

No	Part	Material	Code
1	Body	Bronze	BC6
2	Disc	Brass	C 3771 BE
3	Stem	Brass	C 3771 BE
4	Bonnet	Bronze	BC6
5	Bonnet Nut	Bronze	BC6
6	Disc Nut	Brass	C 3771 BE
7	Packing Gland	Brass	C 3771 BE
8	Gland Nut	Brass	C 3771 BE
9	Hexagonal Nut	Stainless Steel	SUS 304
10	Split Pin	Brass	C 2600 W
11	Disc Lock Washer	Brass	C 2600 P
12	Packing	Graphite	-
13	Gasket	Graphite	-
14	Handwheel	Cast Iron	FC200



DN	n x Øh	C	ØD	L1	H (max)	ØD2	Kg
15	4x15	70	95	70	145	80	2.9
20	4x15	75	100	75	155	100	3.9
25	4x19	90	125	85	175	125	5.5
32	4x19	100	135	95	175	125	7.0
40	4x19	105	140	100	190	140	8.6

All measurements in mm. Weights are approximations