



Hose Globe Valve

Flanged End x Threaded BSP

F-7334
JIS 5K

Description: Hose globe valve, bronze body, flat faced flanged x threaded end, with Nakajima coupling sizes DN40, DN50 and DN65

Application: With hose connection for firefighting / deck wash hose, water, sea water, foam

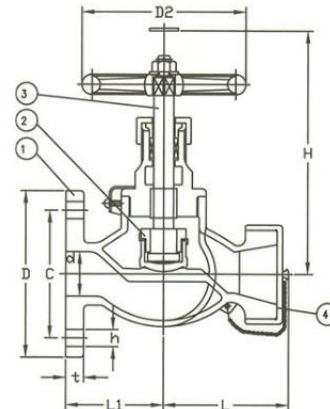
Standard & Design:

Design Code:	JIS F7334
Inspection Standard:	JIS F7400
Flange Standard:	JIS B2240
Face To Face Standard:	JIS 7427 (F7334)
Flanges Drilled:	JIS 5K (DN15-DN65)
Pressure Rating:	JIS 5K (DN15-DN65)

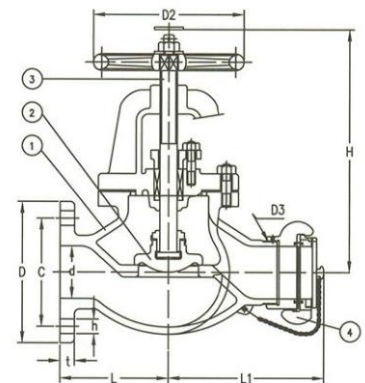


Material:

No	Part	Material	Code
1	Body	Bronze	BC6
2	Disc	Bronze	BC6
3	Stem	Brass	H62
4	Coupling Ring	Bronze	BC6
5	Disc Nut	Brass	H62
6	Packing Gland	Brass	2Cr13
7	Handwheel	Cast Iron	HT 200
8	Hexagon Nut	Graphite	-
9	Hexagon Nut	Brass	H62
10	Hexagon Nut	Brass	H62
11	Stud Bolt	Brass	H62
12	Stud Bolt	Brass	H62
13	Split Pin	Brass	H62
14	Disc Lock Washer	Brass	H62
15	Packing	Graphite	-
16	Gasket	Graphite	-
17	Washer	Carbon Steel	Q235A
18	Base Connection	Bronze	BC6
19	Cap	Bronze	BC6
20	Bonnet	Bronze	BC6
21	Set Ring	Bronze	BC6
22	Set Screw	Brass	H62
23	Chain	Stainless Wire	-
24	Gasket	NBR	-
25	Gasket	Graphite	-



FOR DN15 & DN25



FOR DN40 - DN65

DN	n x Øh	C	D	L	L1	H (max)	Kg
15	4x12	60	80	50	73	120	2.7
25	4x12	75	95	60	78	145	4.0
40	4x15	95	120	80	130	165	8.2
50	4x15	105	130	100	255	225	11.0
65	4x15	130	155	130	295	255	23.0

All measurements in mm. Weights are approximations