



Globe Valve

Angle Type, Flanged Ends

F-7314/F-7474
JIS 20K

Description: Angle type, cast steel body, metal seated screw down stop valve with rising stem, bolted bonnet, flat faced flanged

Application: Start/stop and throttling of; sea water, water, steam and oils, etc

Standard & Design:

Design Code: JIS F7314
 Inspection Standard: JIS F7400
 Flange Standard: JIS B2220
 Face To Face Standard: JIS F7426 (F7314)
 Flanges Drilled: JIS 20K (DN32-DN250)
 Pressure Rating: JIS 20K (DN32-DN250)

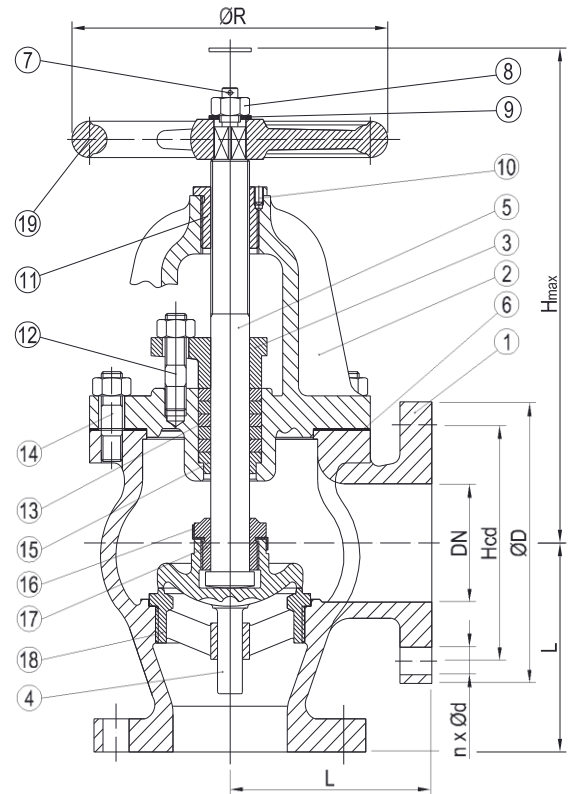
Variations:

F-7314=Fixed Disc
 F-7474=SDNR



Material:

No	Part	Material	Code
1	Body	Cast Steel	ZG230-450
2	Bonnet	Cast Steel	ZG230-450
3	Gland	Stainless Steel	2Cr13
4	Disc	Stainless Steel	2Cr13
5	Stem	Stainless Steel	2Cr13
6	Gasket	Graphite	-
7	Split Pin	Carbon Steel	A3
8	Nut	Carbon Steel	Q235A
9	Gasket Ring	Carbon Steel	Q235A
10	Screw	Carbon Steel	Q235A
11	Screwed Bonnet Bush	Brass	H62
12	Double Open End Bolt	Carbon Steel	Q235A
13	Packing	Graphite	-
14	Double Open End Bolt	Carbon Steel	Q235A
15	Packing Seat	Brass	H62
16	Check Washer	Brass	H62
17	Disc Nut	Stainless Steel	2Cr13
18	Sealing Nut	Stainless Steel	2Cr13
19	Handwheel	Cast Iron	HT200



DN	n x Ød	Hcd	ØD	L	H (max)	ØR	Kg
32	4x19	100	135	100	240	160	13.0
40	4x19	105	140	110	255	160	15.2
50	8x19	120	155	125	270	200	20.0
65	8x19	140	175	135	295	225	26.9
80	8x23	160	200	150	325	250	38.9
100	8x23	185	225	170	365	280	54.4
125	8x25	225	270	200	415	315	80.7
150	12x25	260	305	225	460	355	112.3
200	12x25	305	350	280	520	450	183.0
250	12x27	380	430	310	595	560	286.0

All measurements in mm. Weights are approximations