



# Globe Valve

## Straight Type, Flanged Ends

F-7309/F-7377  
JIS 16K

**Description:** Straight type, cast iron body, metal seated screw down stop valve with rising stem, bolted bonnet, flat faced flanged

**Application:** Start/stop and throttling of; sea water, water, steam and oils, etc

**Standard & Design:**

Design Code: JIS F7309  
 Inspection Standard: JIS F7400  
 Flange Standard: JIS B2239  
 Face To Face Standard: JIS F7425 (F7309)  
 Flanges Drilled: JIS 16K (DN50-DN200)  
 Pressure Rating: JIS 16K (DN50-DN200)

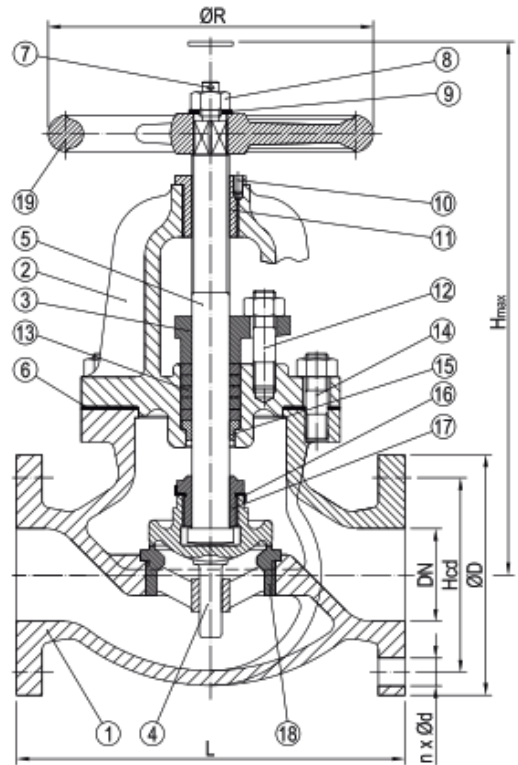
**Variations:**

F-7309=Fixed Disc  
 F-7377=SDNR



**Material:**

No	Part	Material	Code
1	Body	Cast Iron	HT200
2	Bonnet	Cast Iron	HT200
3	Gland	Brass	H62
4	Disc	Bronze	ZCuSn5Pb5Zn5
5	Stem	Brass	H62
6	Gasket	Graphite	-
7	Split Pin	Carbon Steel	A3
8	Nut	Carbon Steel	Q235A
9	Gasket Ring	Carbon Steel	Q235A
10	Screw	Carbon Steel	Q235A
11	Screwed Bonnet Bush	Brass	H62
12	Double Open End Bolt	Carbon Steel	Q235A
13	Packing	Graphite	-
14	Double Open End Bolt	Carbon Steel	Q235A
15	Packing Seat	Brass	H62
16	Check Washer	Brass	H62
17	Disc Nut	Brass	H62
18	Sealing Nut	Bronze	ZCuSn5Pb5Zn5
19	Handwheel	Cast Iron	HT200



DN	n x Ød	Hcd	ØD	L	H (max)	ØR	Kg
50	8x19	120	155	220	285	160	19.6
65	8x19	140	175	270	310	200	28.3
80	8x23	160	200	300	340	225	40.4
100	8x23	185	225	350	385	250	56.9
125	8x25	225	270	430	455	315	89.5
150	12x25	260	305	500	510	355	123.0
200	12x25	305	350	570	630	450	188.0

All measurements in mm. Weights are approximations