



# Globe Valve

## Straight Type, Flanged Ends

F-7307/F-7375  
JIS 10K

**Description:** Straight type, cast iron body, metal seated screw down stop valve with rising stem, bolted bonnet, flat faced flanged

**Application:** Start/stop and throttling of; sea water, water, steam and oils, etc

**Standard & Design:**

Design Code: JIS F7307  
 Inspection Standard: JIS F7400  
 Flange Standard: JIS B2239  
 Face To Face Standard: JIS F7425 (F7307)  
 Flanges Drilled: JIS 10K (DN50-DN300)  
 Pressure Rating: JIS 10K (DN50-DN300)

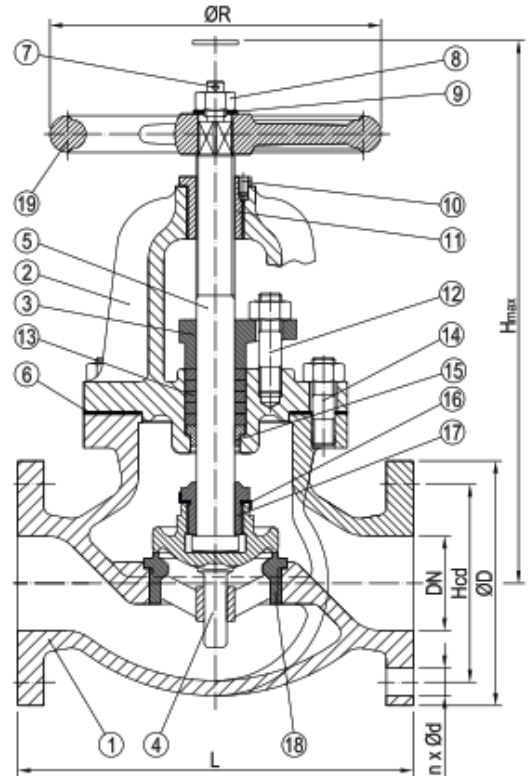
**Variations:**

F-7307=Fixed Disc  
 F-7375=SDNR



**Material:**

No	Part	Material	Code
1	Body	Cast Iron	HT200
2	Bonnet	Cast Iron	HT200
3	Gland	Brass	H62
4	Disc	Bronze	ZCuSn5Pb5Zn5
5	Stem	Brass	H62
6	Gasket	Graphite	-
7	Split Pin	Carbon Steel	A3
8	Nut	Carbon Steel	Q235A
9	Gasket Ring	Carbon Steel	Q235A
10	Screw	Carbon Steel	Q235A
11	Screwed Bonnet Bush	Brass	H62
12	Double Open End Bolt	Carbon Steel	Q235A
13	Packing	Graphite	-
14	Double Open End Bolt	Carbon Steel	Q235A
15	Packing Seat	Brass	H62
16	Check Washer	Brass	H62
17	Disc Nut	Brass	H62
18	Sealing Nut	Bronze	ZCuSn5Pb5Zn5
19	Handwheel	Cast Iron	HT200



DN	n x Ød	Hcd	ØD	L	H (max)	ØR	Kg
50	4x19	120	155	220	285	160	19.9
65	4x19	140	175	270	310	200	28.7
80	8x19	150	185	300	320	200	32.4
100	8x19	175	210	350	370	250	48.7
125	8x23	210	250	420	420	280	73.1
150	8x23	240	280	490	470	315	104.0
200	12x23	290	330	570	555	355	162.0
250	12x25	355	400	740	680	450	304.0
300	16x25	400	445	840	770	500	458.0

All measurements in mm. Weights are approximations